

Ice-O-Matic®

SERVICE PARTS MANUAL ICE SERIES CUBERS

ICE0806 A1, W1 and R1 Includes 50 Hz models

ICE0806 A2, W2 and R2 Includes 50 Hz models

ICE0806 R3 Includes 50 Hz models

ICE0806 A2A, W2A and R3A Includes 50 Hz models

ICE1006 A1, W1 and R1 Includes 50 Hz models

ICE1006 A2, W2 and R2 Includes 50 Hz models

ICE1006 R3 Includes 50 Hz models

ICE1006 A2A, W2A and R3A Includes 50 Hz models



ICE Series Service Parts

This parts list contains the service parts available for the ICE Series icemakers listed below.

ICE0806 A1, W1 and R1 Includes 50 Hz models
ICE0806 A2, W2 and R2 Includes 50 Hz models
ICE0806 R3 Includes 50 Hz models
ICE0806 A2A, W2A and R3A Includes 50 Hz models

ICE1006 A1, W1 and R1 Includes 50 Hz models
ICE1006 A2, W2 and R2 Includes 50 Hz models
ICE1006 R3 Includes 50 Hz models
ICE1006 A2A, W2A and R3A Includes 50 Hz models

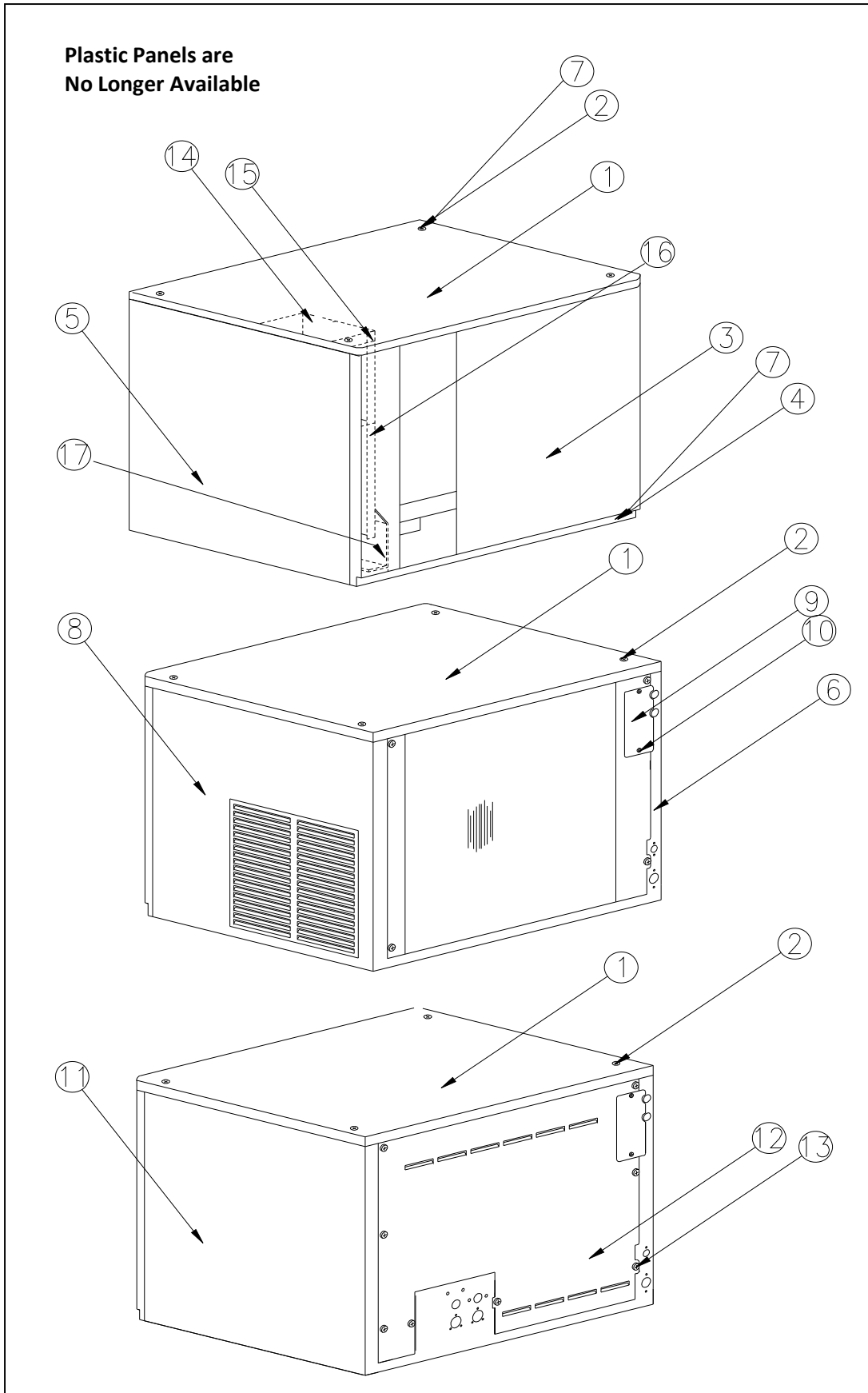
Check the model number on the data plate and refer to the correct listing for the specific component.

Check carefully that the correct part is identified and ordered.

Table of Contents	Page 1
Exterior Components	Page 2 - 3
Interior Components-Front View	Page 4 - 5
Air Cooled	Page 6 - 7
Water Cooled	Page 8 - 9
Remote	Page 10 - 11
Control Box	Page 12 - 13
Harvest Assist Assembly	Page 14 - 15
Remote Condenser	Page 16 - 19
Compressor Information	Page 20

Ice-O-Matic
11100 East 45th Ave.
Denver Co. 80239
866-PUREICE

The ICE Series Service manual is available separately, Part number 9081270-01



ICE Series Service Parts

Exterior Components

Item No.	Description	Model Number				
		ICE0805	ICE0806	ICE1005	ICE1006	ICE1007
1	Top Panel-Air Cooled NLA	2101285-01S	2101285-01S	2101285-01S	2101285-01S	2101285-01S
1	Top Panel-Water and Remote NLA	9051466-01	9051466-01	9051466-01	9051466-01	9051466-01
1	Top Panel-Wall Hugger NLA	9051466-03	9051466-03	9051466-03	9051466-03	9051466-03
2	Top Panel Screw	9031098-02	9031098-02	9031098-02	9031098-02	9031098-02
3	Front Panel NLA	2031465-03	2031465-03	2031465-03	2031465-03	2031465-03
4	Front Panel Screw	9031098-02	9031098-02	9031098-02	9031098-02	9031098-02
5	LH Side Panel	3021773-01	3021773-01	3021773-01	3021773-01	3021773-01
6	Side Panel Screws	9031046-02	9031046-02	9031046-02	9031046-02	9031046-02
7	Plastic Nut Insert	9031141-01	9031141-01	9031141-01	9031141-01	9031141-01
8	RH Side Panel- Louvered NLA	3021794-01	3021794-01	3021794-01	3021794-01	3021794-01
9	Junction Box Cover	3012681-01	3012681-01	3012681-01	3012681-01	3012681-01
10	Junction Box Cover Screw	9031046-01	9031046-01	9031046-01	9031046-01	9031046-01
11	RH Side Panel- Solid NLA	3021775-01	3021775-01	3021775-01	3021775-01	3021775-01
12	Rear Panel	3021740-01	3021740-01	3021740-01	3021740-01	3021740-01
13	Rear Panel Screw	9031046-01	9031046-01	9031046-01	9031046-01	9031046-01
14	Control Box Top Cover	3012905-01	3012905-01	3012905-01	3012905-01	3012905-01
15	Control Box Side Cover	3012891-01	3012891-01	3012891-01	3012891-01	3012891-01
16	Control Box Screws	9031046-01	9031046-01	9031046-01	9031046-01	9031046-01

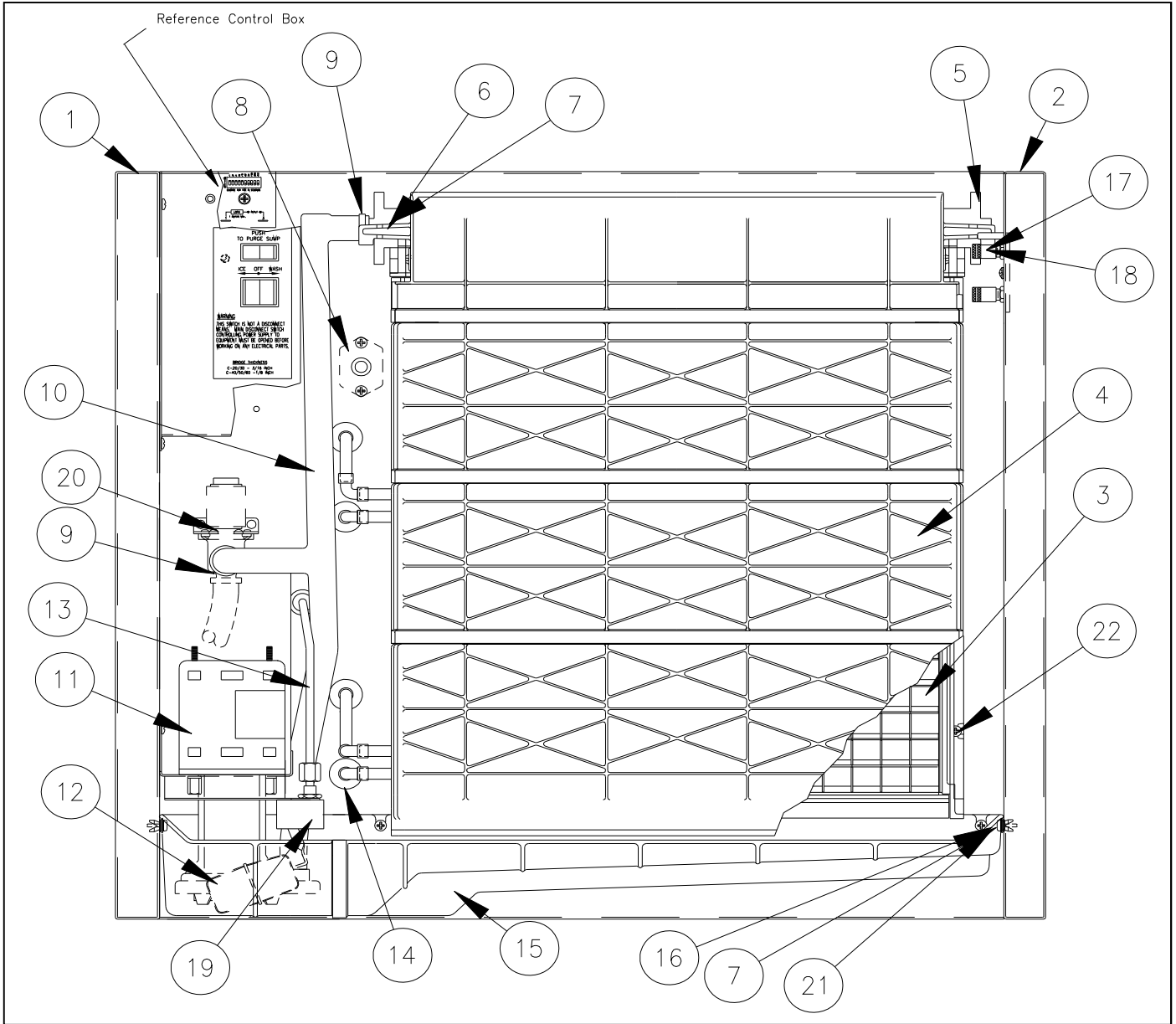
Plastic Panels are No Longer Available - NLA = No Longer Available

ICE0806 A2A, W2A and R3A Includes 50 Hz models

ICE1006 A2A, W2A and R3A Includes 50 Hz models

Item No.	Description	Model Number				
		ICE0805	ICE0806	ICE1005	ICE1006	ICE1007
1	Top Panel	2101425-01S	2101425-01S	2101425-01S	2101425-01S	2101425-01S
3	Front Panel	2031511-02S	2031511-02S	2031511-02S	2031511-02S	2031511-02S
3	Front Panel End Cap, Right Hand	9051562-03	9051562-03	9051562-03	9051562-03	9051562-03
3	Front Panel End Cap, Left Hand	9051562-04	9051562-04	9051562-04	9051562-04	9051562-04
4	Front Panel Screws	9031098-04	9031098-04	9031098-04	9031098-04	9031098-04
5	Left Hand Side Panel NLA	9051565-04	9051565-04	9051565-04	9051565-04	9051565-04
7	Plastic Nut	9031141-01	9031141-01	9031141-01	9031141-01	9031141-01
8	Right Side Panel- Air Cooled NLA	2101428-02	2101428-02	2101428-02	2101428-02	2101428-02
11	Right Side Panel-W & R NLA	9051565-04	9051565-04	9051565-04	9051565-04	9051565-04
12	Rear Panel	3021740-01	3021740-01	3021740-01	3021740-01	3021740-01
13	Rear Panel Screws	9031046-01	9031046-01	9031046-01	9031046-01	9031046-01
14	Control Box Top Cover	3012905-01	3012905-01	3012905-01	3012905-01	3012905-01
15	Control Box Side Cover	3012891-01	3012891-01	3012891-01	3012891-01	3012891-01
NA	Rear Brace	3012724-01	3012724-01	3012724-01	3012724-01	3012724-01
NA	Machine Compartment Cover	3012931-01	N/A	3012931-01	N/A	N/A

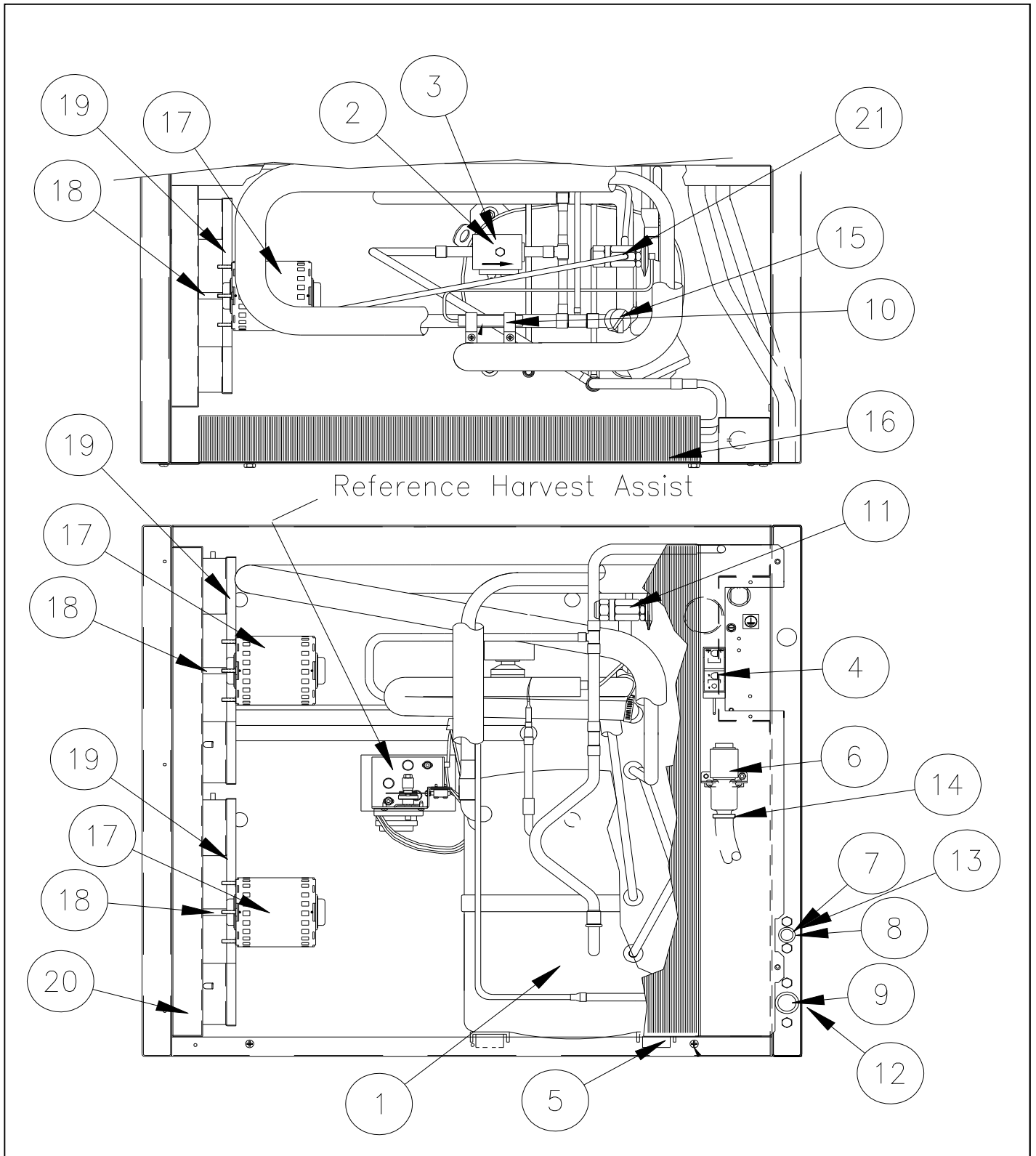
Plastic Panels are No Longer Available - NLA = No Longer Available



Item No.	Description	Model Number				
		ICE0805	ICE0806	ICE1005	ICE1006	ICE1007
1	Left Hand Frame Panel NLA	2021524-02	2021524-02	2021524-02	2021524-02	2021524-02
2	Right Hand Frame Panel NLA	2021527-01	2021527-01	2021527-01	2021527-01	2021527-01
3	Evaporator-Full Cube	2051125-81	2051125-81	2051125-81	2051125-81	2051125-81
3	Evaporator-Half Cube	2051125-82	2051125-82	2051125-82	2051125-82	2051125-82
4	Evaporator Splash Curtain	9051154-12	9051154-12	9051154-12	9051154-12	9051154-12
5	Water Distribution Tube	2041338-01	2041338-01	2041338-01	2041338-01	2041338-01
6	Thumb Screw	9031122-01	9031122-01	9031122-01	9031122-01	9031122-01
7	Rubber Washer	9031004-19	9031004-19	9031004-19	9031004-19	9031004-19
8	High Pressure Control	9041051-04	9041051-04	9041051-04	9041051-04	9041051-04
9	Clamp	9021010-04	9021010-04	9021010-04	9021010-04	9021010-04
10	Water Pump Tube	9051472-01	9051472-01	9051472-01	9051472-01	9051472-01
11	Water Pump	9161079-03	9161079-03	9161079-03	9161079-03	9161079-03
	Thumbscrew / Pump (2 Req)	9161076-101	9161076-101	9161076-101	9161076-101	9161076-101
12	Float	9131111-101	9131111-101	9131111-101	9131111-101	9131111-101
13	Water Float Tube (26")	6021032-01	6021032-01	6021032-01	6021032-01	6021032-01
14	Snap Bushing	9051001-09	9051001-09	9051001-09	9051001-09	9051001-09
15	Water Return Trough	9051537-01	9051537-01	9051537-01	9051537-01	9051537-01
16	Water Return Trough Screw	9031046-24	9031046-24	9031046-24	9031046-24	9031046-24
17	Valve Core	9091086-02	9091086-02	9091086-02	9091086-02	9091086-02
18	Valve Cap	9091086-03	9091086-03	9091086-03	9091086-03	9091086-03
19	Caplug	9131026-02	9131026-02	9131026-02	9131026-02	9131026-02
20	Purge Valve* (9041086 is NLA)	9041105-02	9041105-02	9041105-02	9041105-02	9041105-02
21	Plastic Nut Insert	9031141-01	9031141-01	9031141-01	9031141-01	9031141-01
22	Evaporator Mounting Screw	9031046-01	9031046-01	9031046-01	9031046-01	9031046-01
	Evaporator Spillway	9051135-05	9051135-05	9051135-05	9051135-05	9051135-05
	Evaporator Side Panel - RH	9051170-03	9051170-03	9051170-03	9051170-03	9051170-03
	Evaporator Side Panel - LH	9051170-04	9051170-04	9051170-04	9051170-04	9051170-04
	Evaporator Water Return	9051135-04	9051135-04	9051135-04	9051135-04	9051135-04

Please note: Water Pumps are shipped with the Thumbscrews when ordered as a service replacement part.

* Models with Serial Number 2006 and older will require Service Kit 9041105-101



Item No.	Description	Model Number				
		ICE0805	ICE0806	ICE1005	ICE1006	ICE1007
1	Compressor* (Reference Below)	9181140-12	9181139-11	9181141-12	9181140-11	9181140-13
2	Hot Gas Valve Coil	9151123-04	9151123-04	9151123-04	9151123-04	9151123-04
3	Hot Gas Valve Body	9151123-01	9151123-01	9151123-01	9151123-01	9151123-01
4	Low Pres Control 9041094-01 NLA	9041104-101	9041104-101	9041104-101	9041104-101	9041104-101
5	Filter Drier 9151104-04 NLA	9151163-03	9151163-03	9151163-03	9151163-03	9151163-03
6	Purge Valve* 9041086-02 NLA	9041105-02	9041105-02	9041105-02	9041105-02	9041105-02
7	Drop Adapter	9091074-01	9091074-01	9091074-01	9091074-01	9091074-01
8	Water Inlet Fitting	9091083-01	9091083-01	9091083-01	9091083-01	9091083-01
9	Purge Drain Fitting	9091140-01	9091140-01	9091140-01	9091140-01	9091140-01
10	Clamp-TXV Bulb	9021040-01	9021040-01	9021040-01	9021040-01	9021040-01
11	TXV - ALCO	9151134-05	9151134-05	9151134-05	9151134-05	9151134-05
12	Purge Drain Hose (1.5 Ft.)	6021015-06	6021015-06	6021015-06	6021015-06	6021015-06
13	Tube (2.17 Ft.)	6021032-01	6021032-01	6021032-01	6021032-01	6021032-01
14	Clamp	9021010-14	9021010-14	9021010-14	9021010-14	9021010-14
15	High Temp Safety	9041087-04	9041087-04	9041087-04	9041087-04	9041087-04
16	Air Condenser	9141103-01	9141103-01	9141103-01	9141103-01	9141103-01
16	Air Condenser (Beg. Mid Ser. H2)	9141122-01	9141122-01	9141122-01	9141122-01	9141122-01
17	Fan Motor** NLA	9161089-03	9161089-03	9161089-03	9161089-03	9161089-03
18	Fan Blade	9131332-02	9131332-02	9131333-01	9131333-01	9131333-01
19	Fan Mtr Bracket	3012527-01	3012527-01	3012527-01	3012527-01	3012527-01
17	Fan Motor (Beg. Mid Ser. H2)***	9161078-02		9161078-02		
18	Fan Blade (Beg. Mid Ser. H2)	9131383-01		9131383-01		
19	Fan Mtr Brkt (Beg. Mid Ser. H2)	2021574-01		2021574-01		
20	Fan Shroud	3012742-01	3012742-01	3012741-01	3012741-01	3012741-01
21	TXV - SPORLAN Assy**** NLA	2041665-02	2041665-02	2041665-02	2041665-02	2041665-02
21	TXV - ALCO Assy**** NLA	2041665-01S	2041665-01S	2041665-01S	2041665-01S	2041665-01S
21	TXV Assembly****	2041982-01S	2041982-01S	2041982-01S	2041982-01S	2041982-01S

* Models with Serial Number 2006 and older will require Service Kit 9041105-101

Note: The ICE800 series has 1 fan motor, the ICE1000 series has 2 fan motors.

* Note ICE0806 Air Cooled Compressor 9181106-11 is NLA, Replaced by 9181139-11

* Note ICE1006 Air Cooled Compressor 9181107-11 is NLA, Replaced by 9181140-11

* Note ICE0805 Air Cooled Compressor 9181107-12 is NLA, Replaced by 9181140-12

* Note ICE1005 Air Cooled Compressor 9181090-12 is NLA, Replaced by 9181141-12

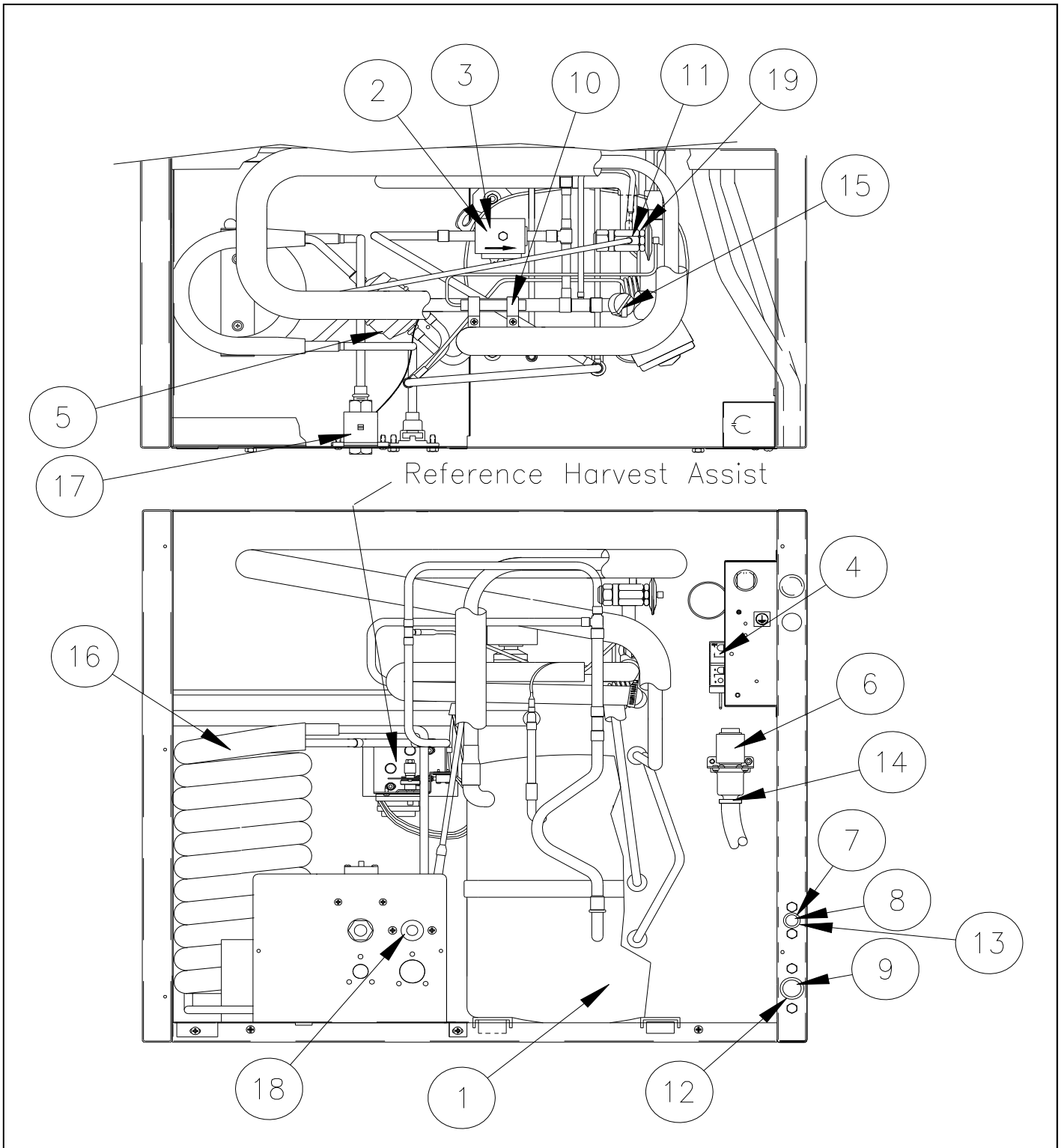
* Note ICE1007 Air Cooled Compressor 9181107-13 is NLA, Replaced by 9181140-13 (Aug 2013)

**Fan Motor 9161089-03 is NLA, Use Kit PN 1051209-03, Include new Fan Motor, Blade and Bracket

***Fan Motor (Beg. Mid Ser. H2) Fan Motor 9161078-02 is NLA, Use PN 9161124-02

****Sporlan and Alco TXV Assemblies 2041665-XX are NLA, Use TXV Assembly PN 2041982-01S Includes Distributor and Tubing - Same as Current ICE1006 Dual Serpentine Evaporator

Reference Page 20 for Compressor Starting Components



Item No.	Description	Model Number				
		ICE0805	ICE0806	ICE1005	ICE1006	ICE1007
1	Compressor* (Reference Below)	9181140-12	9181139-11	9181141-12	9181140-11	9181140-13
2	Hot Gas Valve Coil	9151123-04	9151123-04	9151123-04	9151123-04	9151123-04
3	Hot Gas Valve Body	9151123-01	9151123-01	9151123-01	9151123-01	9151123-01
4	Low Pres Control 9041094-01 NLA	9041104-101	9041104-101	9041104-101	9041104-101	9041104-101
5	Filter Drier 9151104-04 NLA	9151163-03	9151163-03	9151163-03	9151163-03	9151163-03
6	Purge Valve* 9041086-02 NLA	9041105-02	9041105-02	9041105-02	9041105-02	9041105-02
7	Drop Adapter	9091074-01	9091074-01	9091074-01	9091074-01	9091074-01
8	Water Inlet Fitting	9091083-01	9091083-01	9091083-01	9091083-01	9091083-01
9	Purge Drain Fitting	9091140-01	9091140-01	9091140-01	9091140-01	9091140-01
10	Clamp-TXV Bulb	9021040-01	9021040-01	9021040-01	9021040-01	9021040-01
11	TXV - ALCO	9151134-05	9151134-05	9151134-05	9151134-05	9151134-05
12	Purge Drain Hose	6021015-06	6021015-06	6021015-06	6021015-06	6021015-06
13	Tube (2.17 Ft.)	6021032-01	6021032-01	6021032-01	6021032-01	6021032-01
14	Clamp	9021010-14	9021010-14	9021010-14	9021010-14	9021010-14
15	High Temp Safety	9041087-04	9041087-04	9041087-04	9041087-04	9041087-04
16	Water Condenser	9141020-01	9141020-01	9141020-01	9141020-01	9141020-01
16	Water Condenser (Beg. Ser. G2)	9141061-02	9141061-02	9141061-02	9141061-02	9141061-02
17	Water Valve	9041059-01	9041059-01	9041059-01	9041059-01	9041059-01
18	Drop Adapter 1/2"	9091063-02	9091063-02	9091063-02	9091063-02	9091063-02
21	TXV - SPORLAN Assy**** NLA	2041665-02	2041665-02	2041665-02	2041665-02	2041665-02
21	TXV - ALCO Assy**** NLA	2041665-01S	2041665-01S	2041665-01S	2041665-01S	2041665-01S
21	TXV Assembly****	2041982-01S	2041982-01S	2041982-01S	2041982-01S	2041982-01S

* Models with Serial Number 2006 and older will require Service Kit 9041105-101

* Note ICE0806 Water Cooled Compressor 9181106-11 is NLA, Replaced by 9181139-11

* Note ICE1006 Water Cooled Compressor 9181107-11 is NLA, Replaced by 9181140-11

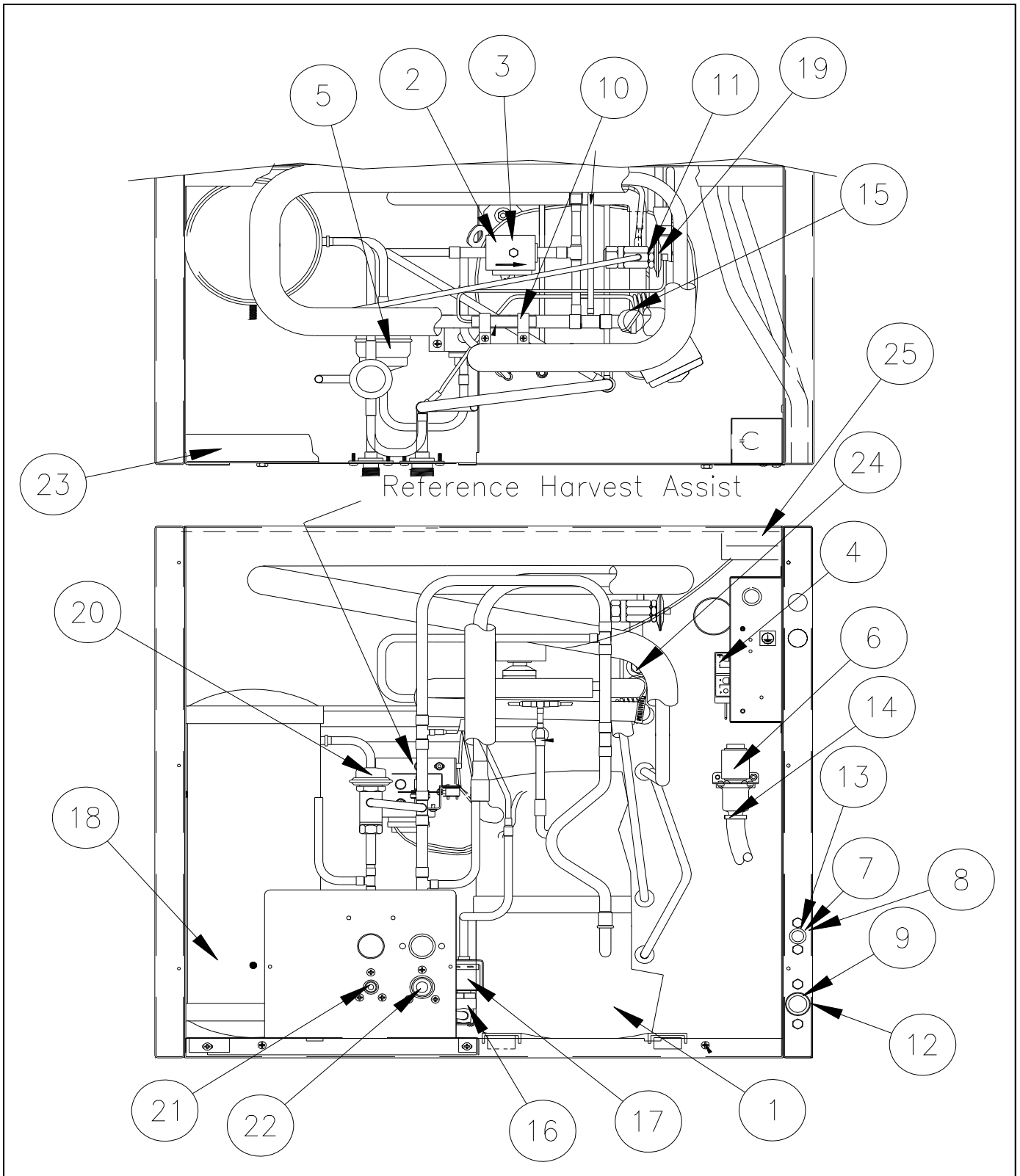
* Note ICE0805 Water Cooled Compressor 9181107-12 is NLA, Replaced by 9181140-12

* Note ICE1005 Water Cooled Compressor 9181090-12 is NLA, Replaced by 9181141-12

* Note ICE1007 Water Cooled Compressor 9181107-13 is NLA, Replaced by 9181140-13 (Aug 2013)

Reference Page 20 for Compressor Starting Components

****Sporlan and Alco TXV Assemblies 2041665-XX are NLA, Use TXV Assembly PN 2041982-01S
Includes Distributor and Tubing - Same as Current ICE1006 Dual Serpentine Evaporator



Item No.	Description	Model Number				
		ICE0805	ICE0806	ICE1005	ICE1006	ICE1007
1	Compressor* (Reference Below)	9181140-12	9181140-11	9181141-12	9181141-11	9181107-13
2	Hot Gas Valve Coil	9151123-04	9151123-04	9151123-04	9151123-04	9151123-04
3	Hot Gas Valve Body	9151123-01	9151123-01	9151123-01	9151123-01	9151123-01
4	Low Pres Control 9041094-01 NLA	9041104-101	9041104-101	9041104-101	9041104-101	9041104-101
5	Filter Drier 9151104-04 NLA	9151163-03	9151163-03	9151163-03	9151163-03	9151163-03
6	Purge Valve* 9041086-02 NLA	9041105-02	9041105-02	9041105-02	9041105-02	9041105-02
7	Drop Adapter	9091074-01	9091074-01	9091074-01	9091074-01	9091074-01
8	Water Inlet Fitting	9091083-01	9091083-01	9091083-01	9091083-01	9091083-01
9	Purge Drain Fitting	9091140-01	9091140-01	9091140-01	9091140-01	9091140-01
10	Clamp-TXV Bulb	9021040-01	9021040-01	9021040-01	9021040-01	9021040-01
11	TXV - SPORLAN NLA	9151006-14	9151006-14	9151006-14	9151006-14	9151006-14
11	TXV - ALCO (Beg. Mid Ser. H2)	9151134-05	9151134-05	9151134-05	9151134-05	9151134-05
12	Purge Drain Hose	6021015-06	6021015-06	6021015-06	6021015-06	6021015-06
13	Tube (2.17 Ft.)	6021032-01	6021032-01	6021032-01	6021032-01	6021032-01
14	Clamp	9021010-14	9021010-14	9021010-14	9021010-14	9021010-14
15	High Temp Safety	9041087-04	9041087-04	9041087-04	9041087-04	9041087-04
15	High Temp Safety (Beg. Rev. 3)	9041087-06	9041087-06	9041087-06	9041087-06	9041087-06
16	Liquid Line Solenoid Body	9151123-02	9151123-02	9151123-02	9151123-02	9151123-02
17	Liquid Line Solenoid Coil	9151123-04	9151123-04	9151123-04	9151123-04	9151123-04
18	Receiver	9151060-01	9151060-01	9151060-01	9151060-01	9151060-01
19	TXV - ALCO Assy**** NLA	2041665-01S	2041665-01S	2041665-01S	2041665-01S	2041665-01S
	TXV Assembly****	2041982-01S	2041982-01S	2041982-01S	2041982-01S	2041982-01S
20	Mixing Valve (240)	9151027-06	9151027-06	9151027-06	9151027-06	9151027-06
21	Remote Fitting 3/8"	9091001-11	9091001-11	9091001-11	9091001-11	9091001-11
22	Remote Fitting 1/2"	9091001-12	9091001-12	9091001-12	9091001-12	9091001-12
23	Rear Brace	3022724-01	3022724-01	3022724-01	3022724-01	3022724-01
23	Rear Brace (Wall Hugger)	3012515-01	3012515-01	3012515-01	3012515-01	3012515-01
24	High Press Control	9041051-04	9041051-04	9041051-04	9041051-04	9041051-04
24	High Press Control (Beg. Rev. 3)	9041091-01	9041091-01	9041091-01	9041091-01	9041091-01
25	Pump Down Control NLA	9041040-01	9041040-01	9041040-01	9041040-01	9041040-01
25	Pump Down Control Replaces 9041040-01	9041092-02	9041092-02	9041092-02	9041092-02	9041092-02
	Check Valve	9151139-01	9151139-01	9151139-01	9151139-01	9151139-01
	Roto-Loc Valve	9091137-01	9091137-01	9091137-01	9091137-01	9091137-01

* Includes Distributor and Tubing - Same Effectivity Date as TXV's

PLEASE NOTE: Mixing Valves are not used on Remote Cubers beginning Revision 3.

PLEASE NOTE: When using an ICE Revision 3 Remote Cuber on an existing or new ERC Remote Condenser, please use kit 1051138-01 at installation.

* Models with Serial Number 2006 and older will require Service Kit 9041105-101

*** Note ICE0806 Remote Cooled Compressor 9181107-11 is NLA, Replaced by 9181140-11**

*** Note ICE1006 Remote Cooled Compressor 9181090-11 is NLA, Replaced by 9181141-11**

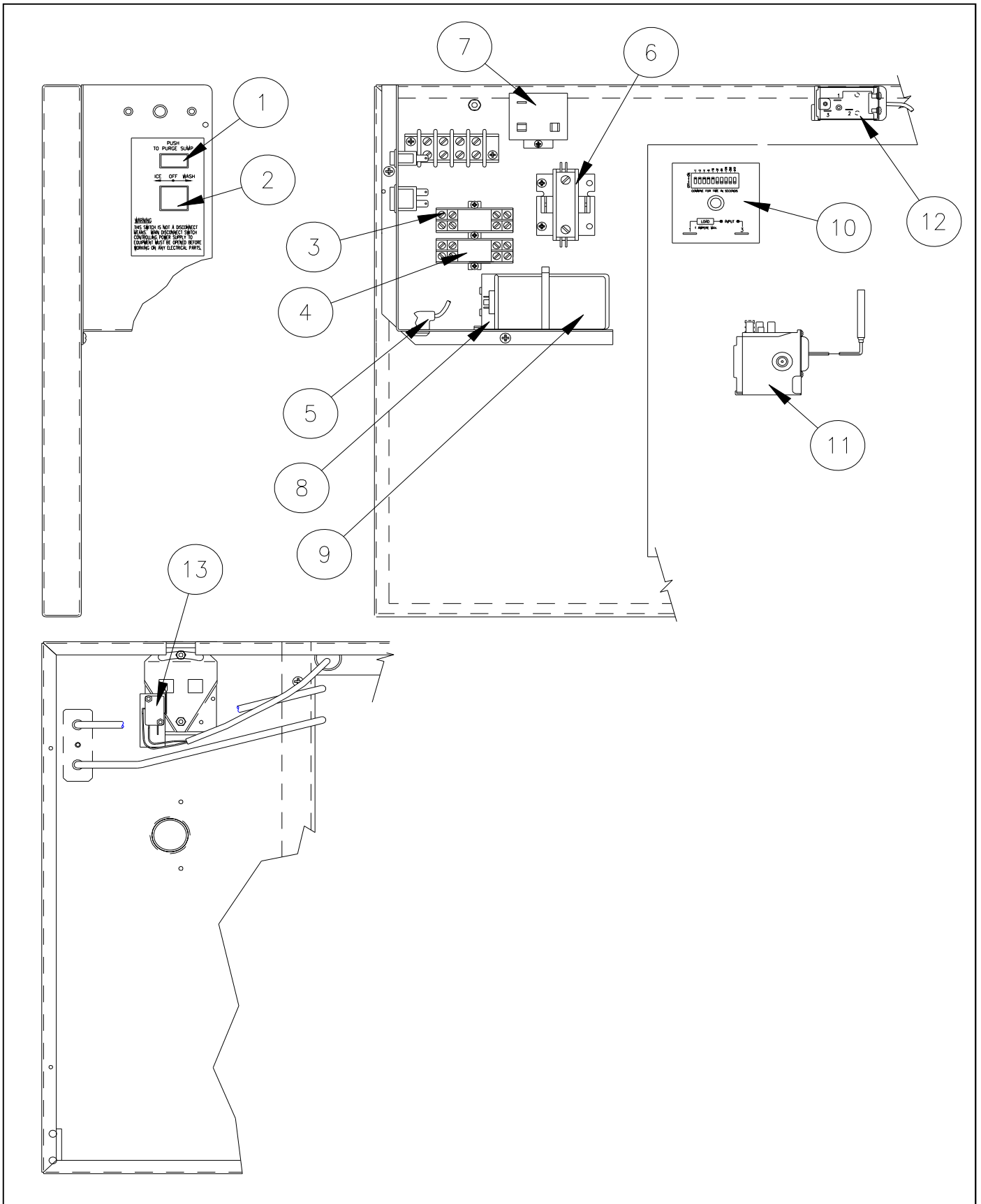
*** Note ICE0805 remote Cooled Compressor 9181107-12 is NLA, Replaced by 9181140-12**

*** Note ICE1005 Remote Cooled Compressor 9181090-12 is NLA, Replaced by 9181141-12**

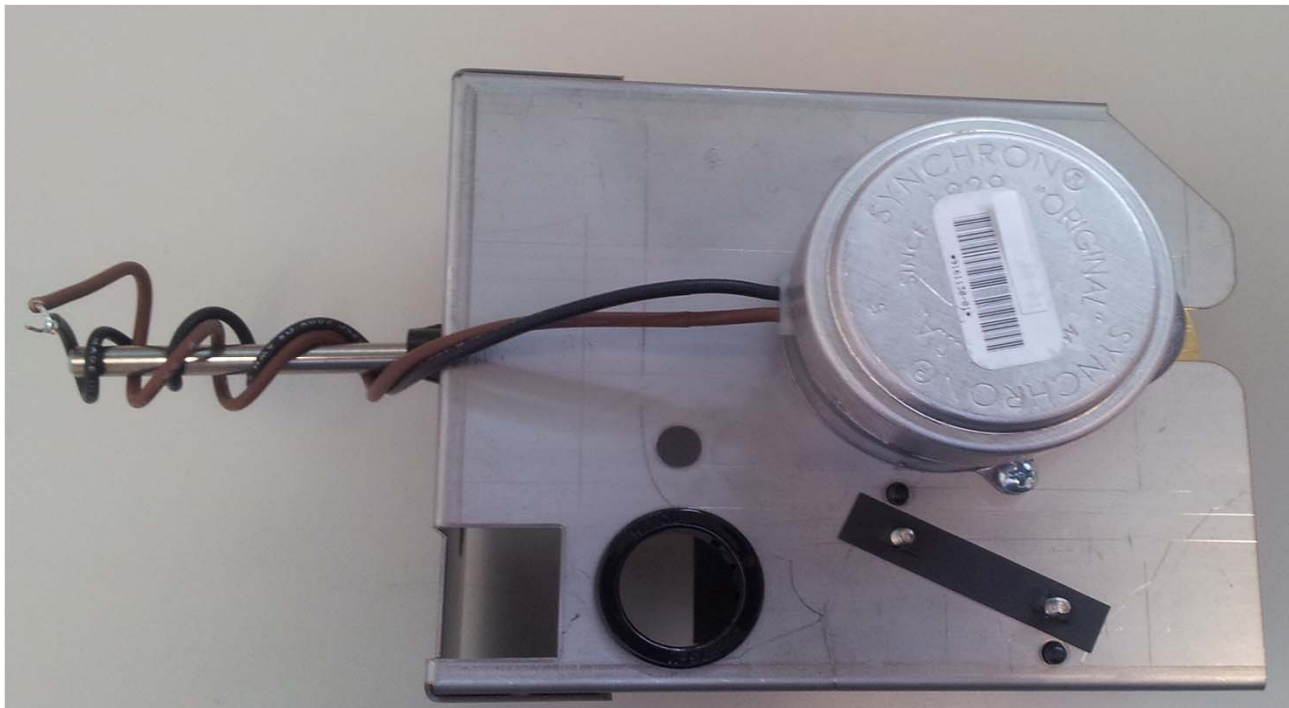
*** Note ICE1007 Remote Cooled Compressor 9181107-13 is NLA, Replaced by 9181140-13 (Aug 2013)**

Reference Page 20 for Compressor Starting Components

******Sporlan and Alco TXV Assemblies 2041665-XX are NLA, Use TXV Assembly PN 2041982-01S
Includes Distributor and Tubing - Same as Current ICE1006 Dual Serpentine Evaporator**



Item No.	Description	Model Number				
		ICE0805	ICE0806	ICE1005	ICE1006	ICE1007
1	Purge Switch 9101139-03 is NLA	1051208-01	1051208-01	1051208-01	1051208-01	1051208-01
2	ON-OFF-WASH Switch 9101195-01 NLA	9101349-01	9101349-01	9101349-01	9101349-01	9101349-01
3	Relay Socket	9101083-01	9101083-01	9101083-01	9101083-01	9101083-01
4	Relay	9101084-02	9101084-02	9101084-02	9101084-02	9101084-02
5	Water Pump Cord	9101218-12	9101218-12	9101218-12	9101218-12	9101218-12
6	Contacto	9101002-04	9101002-04	9101002-04	9101002-04	9101079-02
7	Compressor Start Relay	See page 23	See page 23	See page 23	See page 23	See page 23
8	Start Capacitor	See page 23	See page 23	See page 23	See page 23	See page 23
9	Run Capacitor	See page 23	See page 23	See page 23	See page 23	See page 23
10	Timer	9101148-01	9101148-01	9101148-01	9101148-01	9101148-01
11	Low Pressure Timer Initiate	9041104-101A	9041104-101A	9041104-101A	9041104-101A	9041104-101A
12	Pump Down Control NLA	9041040-01	9041040-01	9041040-01	9041040-01	9041040-01
	Pump Down Control Replaces 9041040-01	9041092-02	9041092-02	9041092-02	9041092-02	9041092-02
13	Bin Switch	9101124-02	9101124-02	9101124-02	9101124-02	9101124-02



1051210-XX Reference Page 15 for Specific Model Number and Part Number

- The **1051210-XX** assembly will fit all ICE Models from October 1999 and EC Models.
- Units installed with a double cam switch, either Field installed or Factory installed will require the complete assembly and a potential wiring change as per the New Wiring Diagram included with the assembly.
- Individual component parts are not available for the **1051210-XX** assembly.
- Individual component parts are No Longer Available for previous version of the Harvest Assist Assembly
- Parts for the **2061962-XX** Harvest Assist Assembly are not compatible with **1051210-XX** Harvest Assist Assembly.
- Proper assembly and alignment of the parts is critical to proper operation, this includes cam and probe alignment.
- If a **1051210-XX** assembly fails, it must be returned to Ice-O-Matic.

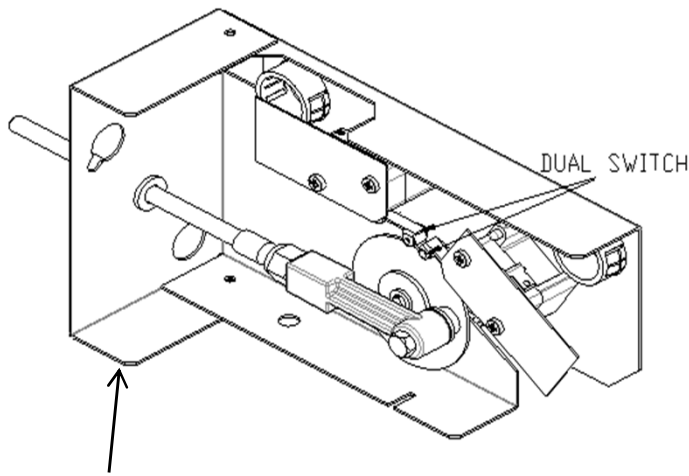
Reference the Model Number below for the specific Harvest Assist Assembly

Item No.	Description	Model Number				
		ICE0805	ICE0806	ICE1005	ICE1006	ICE1007
1	Complete Assembly	1051210-02	1051210-02	1051210-02	1051210-02	1051210-02
	No Longer Available	2061962-02S	2061962-02S	2061962-02S	2061962-02S	2061962-02S

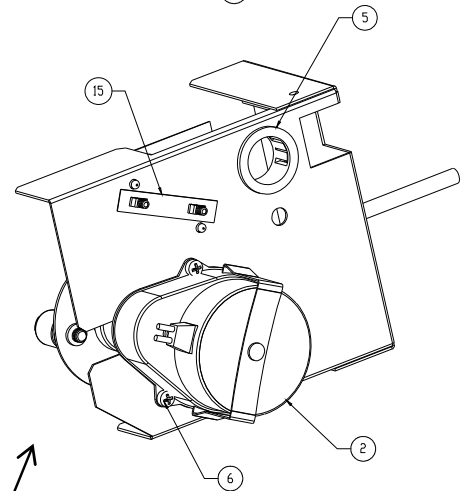
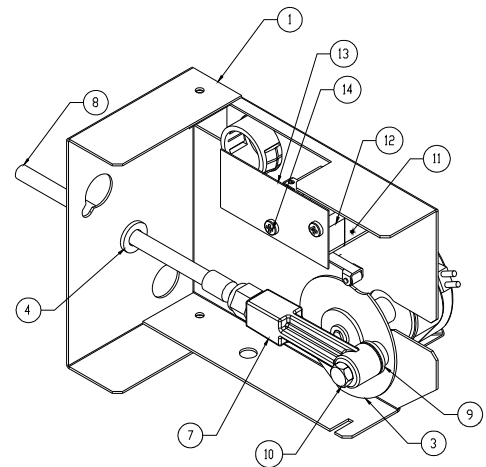
1051210-XX are only supplied as complete assemblies, individual components are not available.

Please reference the above Model Numbers to insure the correct assembly is supplied

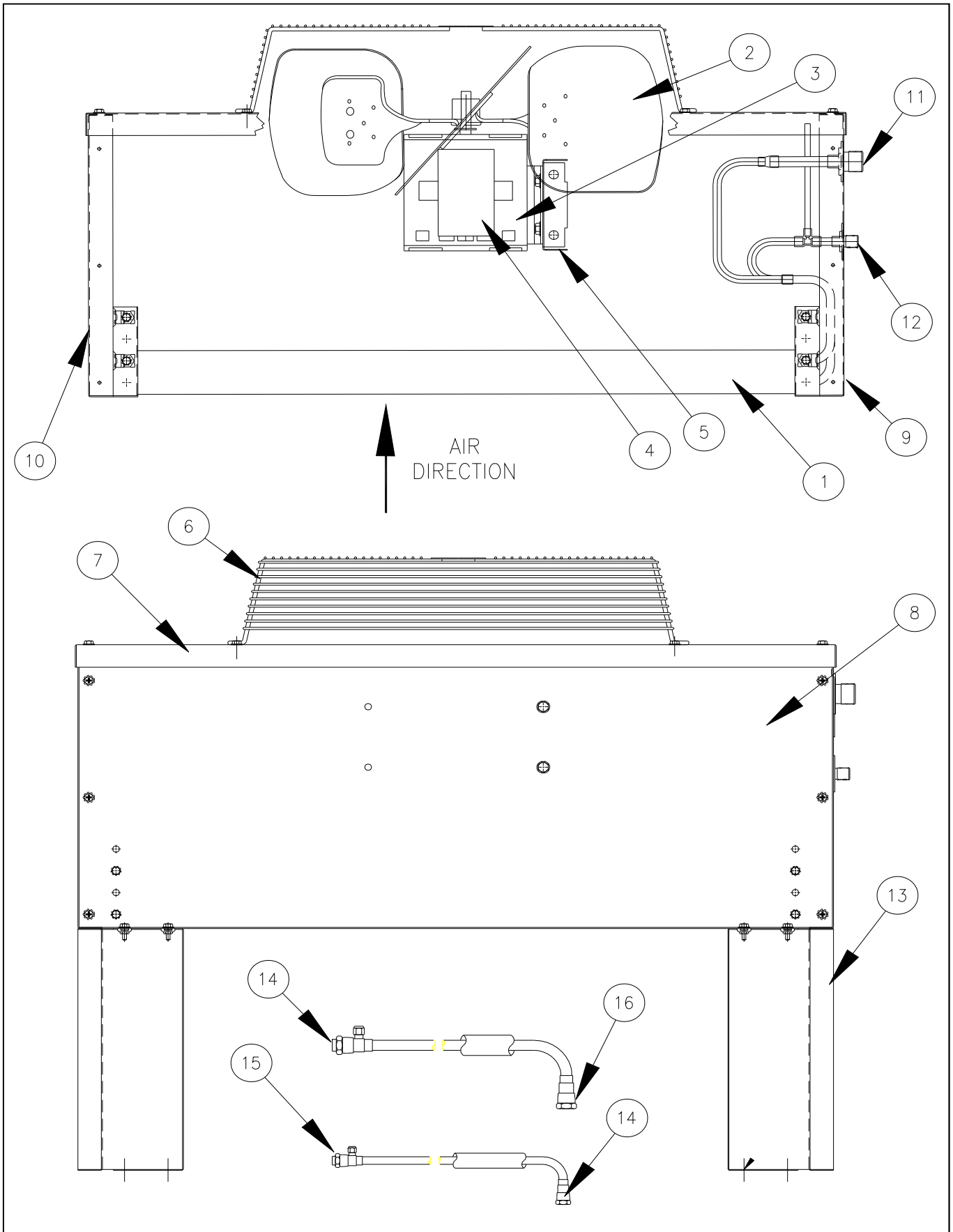
THE DUAL CAM SWITCH HARVEST ASSIST ASSEMBLIES ARE NO LONGER AVAILABLE



1051199-01	No Longer Available
1051200-01	No Longer Available
1051201-01	No Longer Available
1051202-01	No Longer Available
1051207-01	No Longer Available

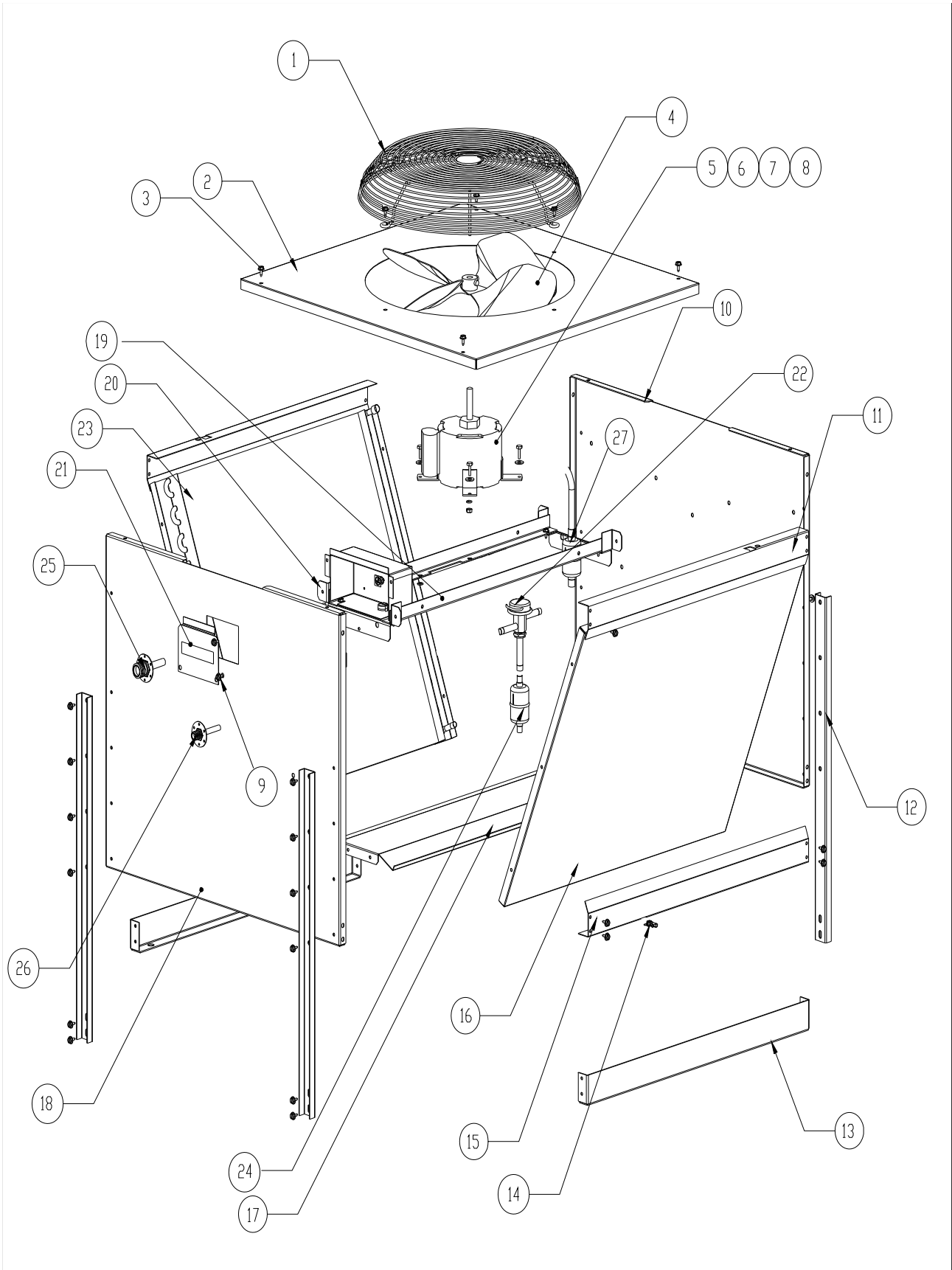


2061962-01S	No Longer Available
2061962-02S	No Longer Available



Item No.	Description	Model Number				
		ICE0805	ICE0806	ICE1005	ICE1006	ICE1007
		ERC2061	ERC2061	ERC2061	ERC2061	ERC2061
1	Condenser	9141108-01	9141108-01	9141108-01	9141108-01	9141108-01
2	Fan Blade	9131357-01	9131357-01	9131357-01	9131357-01	9131357-01
3	Fan Motor	9161110-02	9161110-02	9161110-02	9161110-02	9161110-02
4	Capacitor	9161110-92	9161110-92	9161110-92	9161110-92	9161110-92
5	Fan Motor Brace	3012802-01	3012802-01	3012802-01	3012802-01	3012802-01
6	Fan Guard	9131356-01	9131356-01	9131356-01	9131356-01	9131356-01
7	Top Panel	3012806-01	3012806-01	3012806-01	3012806-01	3012806-01
8	Side Panel	3012793-01	3012793-01	3012793-01	3012793-01	3012793-01
9	Front Panel	3012804-01	3012804-01	3012804-01	3012804-01	3012804-01
10	Rear Panel	3012805-01	3012805-01	3012805-01	3012805-01	3012805-01
11	Coupling Half-Bulkhead-1/2"	9091001-12	9091001-12	9091001-12	9091001-12	9091001-12
12	Coupling Half-Bulkhead-3/8"	9091001-11	9091001-11	9091001-11	9091001-11	9091001-11
13	Mounting Leg	3012795-01	3012795-01	3012795-01	3012795-01	3012795-01
14	Lineset Fitting with Port 1/2"	9091001-10	9091001-10	9091001-10	9091001-10	9091001-10
15	Lineset Fitting with Port 3/8"	9091001-04	9091001-04	9091001-04	9091001-04	9091001-04
16	Lineset Fitting without Port 1/2"	9091001-08	9091001-08	9091001-08	9091001-08	9091001-08
17	Lineset Fitting without Port 3/8"	9091001-02	9091001-02	9091001-02	9091001-02	9091001-02

Item No.	Description	Model Number				
		ICE0805	ICE0806	ICE1005	ICE1006	ICE1007
		ERC2062	ERC2062	ERC2062	ERC2062	ERC2062
1	Condenser	9141110-01	9141110-01	9141110-01	9141110-01	9141110-01
2	Fan Blade	9131357-01	9131357-01	9131357-01	9131357-01	9131357-01
3	Fan Motor	9161110-02	9161110-02	9161110-02	9161110-02	9161110-02
4	Capacitor	9161110-92	9161110-92	9161110-92	9161110-92	9161110-92
5	Fan Motor Brace	3012802-01	3012802-01	3012802-01	3012802-01	3012802-01
6	Fan Guard	9131356-01	9131356-01	9131356-01	9131356-01	9131356-01
7	Top Panel	3012807-01	3012807-01	3012807-01	3012807-01	3012807-01
8	Side Panel	3012794-01	3012794-01	3012794-01	3012794-01	3012794-01
9	Front Panel	3012804-01	3012804-01	3012804-01	3012804-01	3012804-01
10	Rear Panel	3012805-01	3012805-01	3012805-01	3012805-01	3012805-01
11	Coupling Half-Bulkhead-1/2"	9091001-12	9091001-12	9091001-12	9091001-12	9091001-12
12	Coupling Half-Bulkhead-3/8"	9091001-11	9091001-11	9091001-11	9091001-11	9091001-11
13	Mounting Leg	3012795-01	3012795-01	3012795-01	3012795-01	3012795-01
14	Lineset Fitting with Port 1/2"	9091001-10	9091001-10	9091001-10	9091001-10	9091001-10
15	Lineset Fitting with Port 3/8"	9091001-04	9091001-04	9091001-04	9091001-04	9091001-04
16	Lineset Fitting without Port 1/2"	9091001-08	9091001-08	9091001-08	9091001-08	9091001-08
17	Lineset Fitting without Port 3/8"	9091001-02	9091001-02	9091001-02	9091001-02	9091001-02



		ICE0800R4	ICE1400R4	ICE1800R4
ICE0500R	ICE0600R	ICE1000R4	ICE1506R3	ICE2100R4

Item	Description	VRC1001	VRC1061	VRC2061	VRC2661	VRC5061
1	Fan Guard	9131452-01	9131452-01	9131452-01	9131452-01	9131460-01
2	Top Panel	3013222-01	3013222-01	3013222-01	3013222-01	3013303-01
3	¼-20 x 1/2 Screw	9031019-04	9031019-04	9031019-04	9031019-04	9031019-04
4	Fan Blade	9131451-01	9131451-01	9131451-01	9131451-01	9131461-01
5	Fan Motor	9161117-02	9161117-01	9161117-01	9161117-01	9161118-01
6	¼-20 x ¾ Cap Screw	9031001-02	9031001-02	9031001-02	9031001-02	9031001-02
7	Flat Washer	9031003-01	9031003-01	9031003-01	9031003-01	9031003-01
8	Flanged Lock Nut	9031118-02	9031118-02	9031118-02	9031118-02	9031118-02
9	¼-20 x 1/2 Screw	9031019-04	9031019-04	9031019-04	9031019-04	9031019-04
10	Rear Panel	3013224-01	3013224-01	3013224-01	3013224-01	3013224-01
11	Brace	3013226-01	3013226-01	3013226-01	3013226-01	3013305-01
12	Leg	3013227-01	3013227-01	3013227-01	3013227-01	3013227-01
13	Leg Brace	3013228-01	3013228-01	3013228-01	3013228-01	3013306-01
14	T-Nut-Shipping Only	N/A	N/A	N/A	N/A	N/A
15	Brace	3013226-01	3013226-01	3013226-01	3013226-01	3013305-01
16	Cover Panel	3013232-01	3013232-01	N/A	N/A	N/A
17	Center Panel	3013225-01	3013225-01	3013225-01	3013225-01	3013304-01
18	Front Panel	3013223-01	3013223-01	3013223-01	3013223-01	3013223-01
19	Motor Brace	3013234-01	3013234-01	3013234-01	3013234-01	3013307-01
20	Motor Brace Support	3013233-01	3013233-01	3013233-01	3013233-01	3013233-01
21	Junction Box Cover	3013229-01	3013229-01	3013229-01	3013229-01	3013229-01
22	Mixing Valve	9151142-02	9151142-02	9151142-02	9151142-02	9151142-02
23	Condenser	9141130-01	9141130-01	9141130-01	9141131-01	9141133-01
24	Filter	9151143-01	9151143-01	9151143-01	9151143-01	9151143-01
25	1/2 Coupling	9091001-12	9091001-12	9091001-12	9091001-12	9091001-12
26	3/8 Coupling	9091001-11	9091001-11	9091001-11	9091001-11	9091001-11
27	Filter	9151143-02	9151143-02	9151143-02	9151143-02	9151143-02

Compressors Underlined are NO LONGER AVAILABLE

Model Number

Model Number	ICE0805	ICE0806	ICE1005	ICE1006	ICE1007
Compressor	<u>9181107-12</u>	See Below	<u>9181090-12</u>	See Below	<u>9181107-13</u>
Start Capacitor	9181003-32	See Below	9181003-07	See Below	N/A
Run Capacitor	9181009-17	See Below	9181009-12	See Below	N/A
Relay	9181010-04	See Below	9181010-12	See Below	N/A

Model Number		ICE0806 A&W		ICE1006 A&W
Compressor		<u>9181106-11</u>		<u>9181107-11</u>
Start Capacitor		9181003-07		9181003-07
Run Capacitor		9181009-16		9181009-16
Relay		9181010-12		9181010-12

Model Number		ICE0806 R		ICE1006 R
Compressor		<u>9181107-11</u>		<u>9181090-11</u>
Start Capacitor		9181003-07		9181003-19
Run Capacitor		9181009-16		9181009-12
Relay		9181010-12		9181010-10

Reference the compressor model number to insure the correct starting components are ordered

CS12K6E-PFJ-235	<u>9181107-12</u>				
CS10K6E-PFV-235		<u>9181106-11</u>			
CS146E-PFJ-235			<u>9181090-12</u>		
CS12K6E-PFV-235		<u>9181107-11</u>		<u>9181107-11</u>	
CS14K6E-PFV-235				<u>9181090-11</u>	
CS12K6E-TF5					<u>9181107-13</u>

The following compressors are no longer available and have been replaced with the compressor kits below.

<u>9181140-12</u> CS12K6E-PFJ-255	<u>9181107-12</u>				
<u>9181139-11</u> CS10K6E-PFV-255		<u>9181106-11</u>			
<u>9181141-12</u> CS14K6E-PFJ-255			<u>9181090-12</u>		
9181140-11 CS12K6E-PFV-255		9181107-11		9181107-11	
<u>9181141-11</u> CS14K6E-PFV-255				<u>9181090-11</u>	
9181140-13 CS12K6E-TF5-255					<u>9181107-13</u>

Reference the compressor model number to insure the correct starting components are ordered

Model Number	ICE0805	ICE0806	ICE1005	ICE1006	ICE1007
Compressor	9181140-12	See Below	9181141-12	See Below	9181140-13
Start Capacitor	9181003-32	See Below	9181003-07	See Below	N/A
Run Capacitor	9181009-17	See Below	9181009-12	See Below	N/A
Relay	9181010-04	See Below	9181010-12	See Below	N/A

Model Number		ICE0806 A&W		ICE1006 A&W
Compressor		9181139-11		9181140-11
Start Capacitor		9181003-07		9181003-07
Run Capacitor		9181009-16		9181009-16
Relay		9181010-12		9181010-12

Model Number		ICE0806 R		ICE1006 R
Compressor		9181140-11		9181141-11
Start Capacitor		9181003-07		9181003-19
Run Capacitor		9181009-16		9181009-12
Relay		9181010-12		9181010-10