



**SERVICE PARTS MANUAL
ICE UNDERCOUNTER SERIES CUBERS
MODEL-ICEU150, ICEU200, ICEU205, ICEU206
Manufactured Prior to August 2004**



14-1017

Date 12/14/15

ICE Undercounter Service Parts

This parts list contains the service parts available for the ICE Undercounter icemakers.

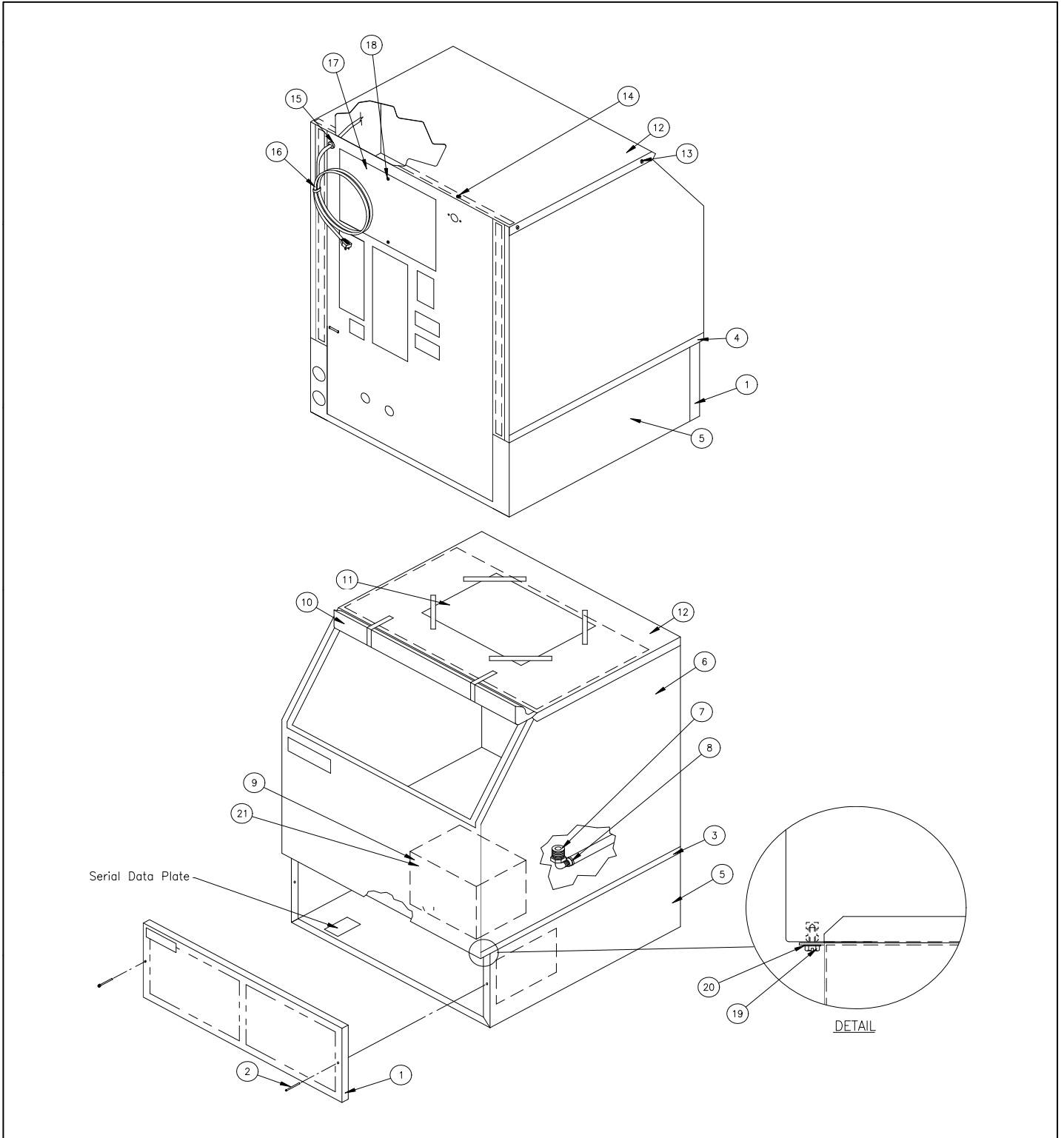
Check the model number on the data plate and refer to the correct listing for the specific component.

Check carefully that the correct part is identified and ordered.

Table of Contents	Page 1
Bin and Exterior Components	Page 2 - 3
Evaporator Assembly and Water System	Page 4 - 5
Refrigeration System-Air Cooled	Page 6 - 7
Refrigeration System-Water Cooled	Page 8 - 9
Control Box Assembly	Page 10 -11
Water Pump Assembly	Page 12
Harvest Assist Components	Page 13

Ice-O-Matic
11100 East 45th Ave.
Denver Co. 80239
800-423-3367

The ICE Series Service Manual is available separately, Part Number 9081270-01



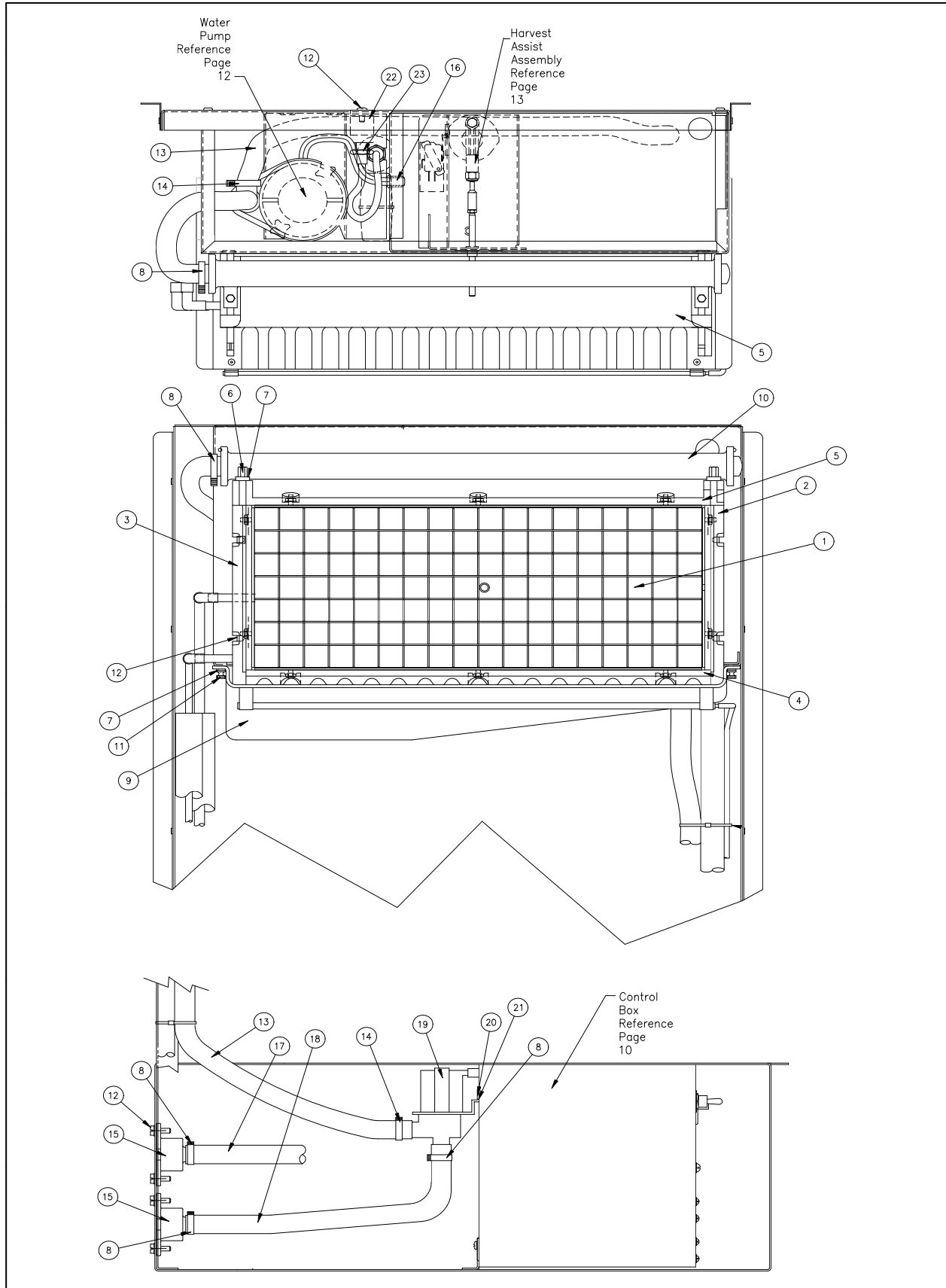
ICE Undercounter Service Parts

Bin and Exterior Components

Item	Description	ICEU150	ICEU200	ICEU205	ICEU206
1	Front Grill Panel	9051515-01	9051515-01	9051515-01	9051515-01
2	Grill Panel Screw #8 x 11/2	9031074-02	9031074-02	9031074-02	9031074-02
3	Trim Strip RH	3021410-01	3021410-01	3021410-01	3021410-01
4	Trim Strip LH	3021410-02	3021410-02	3021410-02	3021410-02
5	Side Panel S/S NLA-NR	3021717-01	3021717-01	3021717-01	3021717-01
6	Bin Assembly NLA-NR	2101275-01S	2101275-01S	2101275-01S	2101275-01S
7	Elbow, 3/4MPT x 1/2	9091122-02	9091122-02	9091122-02	9091122-02
8	Plastic Hose Clamp	9021010-03	9021010-03	9021010-03	9021010-03
9	Leg Set (4 ea.)	9021001-04	9021001-04	9021001-04	9021001-04
10	Bin Door, Black	9051310-01	9051310-01	9051310-01	9051310-01
11	Owners Manual	9081264-01	9081264-01	9081264-01	9081264-01
12	Top Panel 3021540-02 is NLA	2101408-01	2101408-01	2101408-01	2101408-01
13	Top Panel Screw #8-32 x 3/8	9031023-10	9031023-10	9031023-10	9031023-10
14	Top Panel Screw #8-32 x 1/2	9031019-07	9031019-07	9031019-07	9031019-07
15	Strain Relief	9121015-04	9121015-04	N/A	N/A
16	Power Cord	9101242-01	9101242-01	N/A	N/A
17	Panel, Rear Access	3012149-01	3012149-01	3012149-01	3012149-01
18	Screw #10-16 x 1/2	9031046-01	9031046-01	9031046-01	9031046-01
19	Screw Hex Head #8-32 x 3/8	9031112-01	9031112-01	9031112-01	9031112-01
20	Lockwasher #8 External	9031042-02	9031042-02	9031042-02	9031042-02
21	Ice Scoop	9051127-02	9051127-02	9051127-02	9051127-02

NLA-NR=No Longer Available-No Replacement

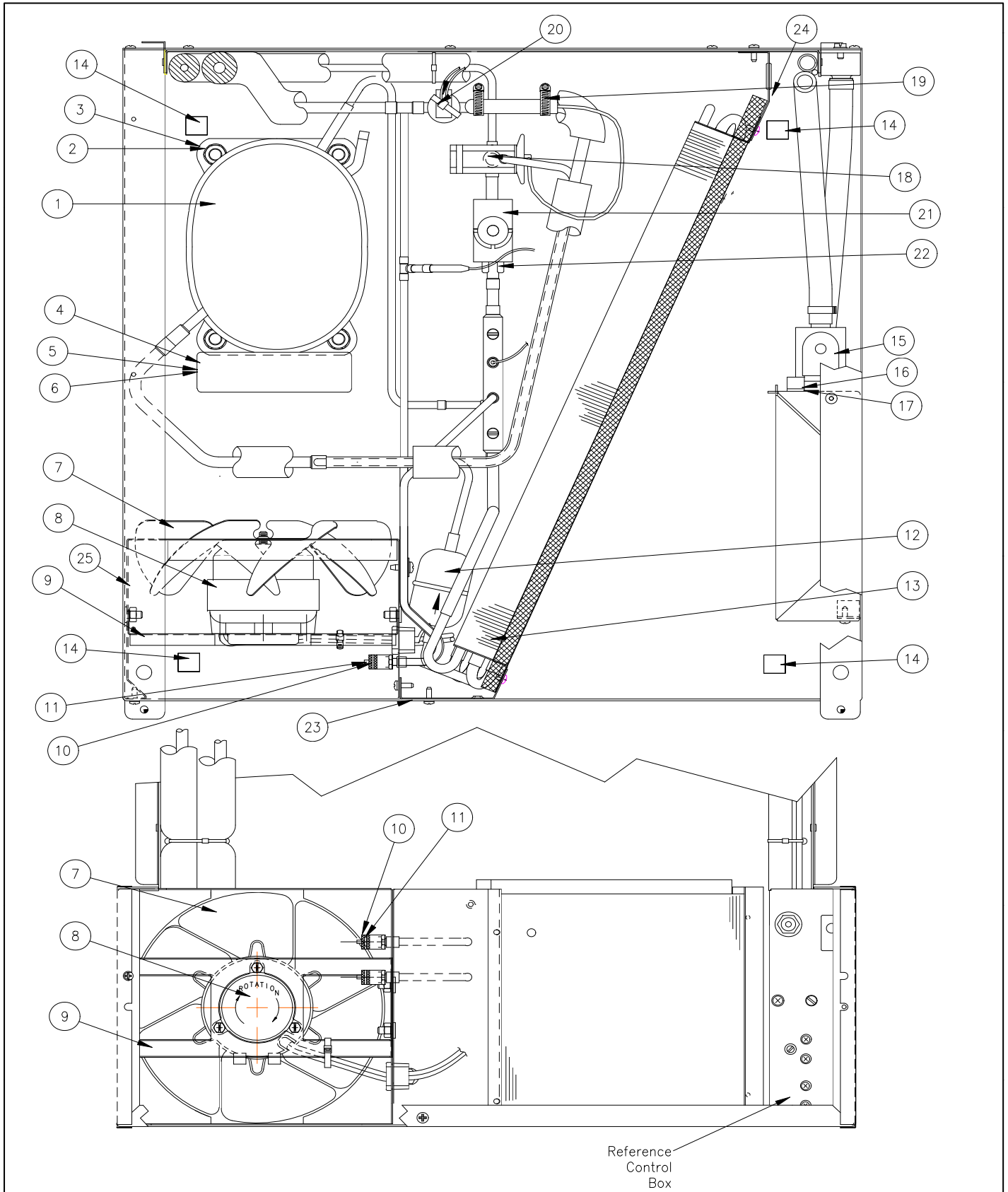
N/A = Not Applicable



ICE Undercounter Service Parts

Evaporator and Water System

Item	Description	ICEU150	ICEU200	ICEU205	ICEU206
1	Evaporator Full Cube 2051157-81 is NLA	2051231-01S	2051231-01S	2051231-01S	2051231-01S
	Evaporator Full Cube (Beg. Ser. G239-03907-Z)	2051231-01S			
	Evaporator Full Cube (Beg. Ser. H2)		2051231-01S	2051231-01S	2051231-01S
1	Evaporator Half Cube 20501157-82 is NLA	2051231-02S	2051231-02S	2051231-02S	2051231-02S
	Evaporator Half Cube (Beg. Ser. G239-03907-Z)	2051231-02S			
	Evaporator Half Cube (Beg Ser. H2)		2051231-02S	2051231-02S	2051231-02S
2	Evaporator RH Side Panel	9051136-04	9051136-04	9051136-04	9051136-04
3	Evaporator LH Side Panel	9051136-03	9051136-03	9051136-03	9051136-03
4	Evaporator Water Return	9051135-02	9051135-02	9051135-02	9051135-02
5	Evaporator Water Spillway	9051135-01	9051135-01	9051135-01	9051135-01
6	Thumbscrew #8-32 x 3/8	9031122-01	9031122-01	9031122-01	9031122-01
7	Rubber Washer	9031004-19	9031004-19	9031004-19	9031004-19
8	Hose Clamp	9021010-04	9021010-04	9021010-04	9021010-04
9	Water Trough Assembly	2101151-01S	2101151-01S	2101151-01S	2101151-01S
10	Water Distribution Tube Assembly	2041338-01	2041338-01	2041338-01	2041338-01
11	Thumbscrew #10-32 x 5/8	9031122-02	9031122-02	9031122-02	9031122-02
12	Screw #10-16 x 1/2 S/S	9031046-01	9031046-01	9031046-01	9031046-01
13	Hose PVC 5/8 I.D. 45.0 Inches	6021015-04	6021015-04	6021015-04	6021015-04
14	Hose Clamp	9021010-05	9021010-05	9021010-05	9021010-05
15	Drain Fitting 9091119-01 is NLA	9091140-01	9091140-01	9091140-01	9091140-01
16	Water Pump Connector	9101218-01	9101218-01	9101218-01	9101218-01
17	Hose PVC 9/16 I.D. 13.5 Inches	6021015-06	6021015-06	6021015-06	6021015-06
18	Purge Drain Tube	9051280-05	9051280-05	9051280-05	9051280-05
19	Purge Valve 9041086 is NLA	9041105-04	9041105-04	9041105-05	9041105-05
20	#8-18 x 1/2 Sems S.M. Screw	9031081-01	9031081-01	9031081-01	9031081-01
21	8A Tinnerman Speed Nut	9031035-01	9031035-01	9031035-01	9031035-01
22	Drop Adapter Fitting	9091074-01	9091074-01	9091074-01	9091074-01
23	Water Inlet Fitting	9091083-01	9091083-01	9091083-01	9091083-01



ICE Undercounter Service Parts

Refrigeration System Air Cooled

NLA-NR = No Longer Available-No Replacement

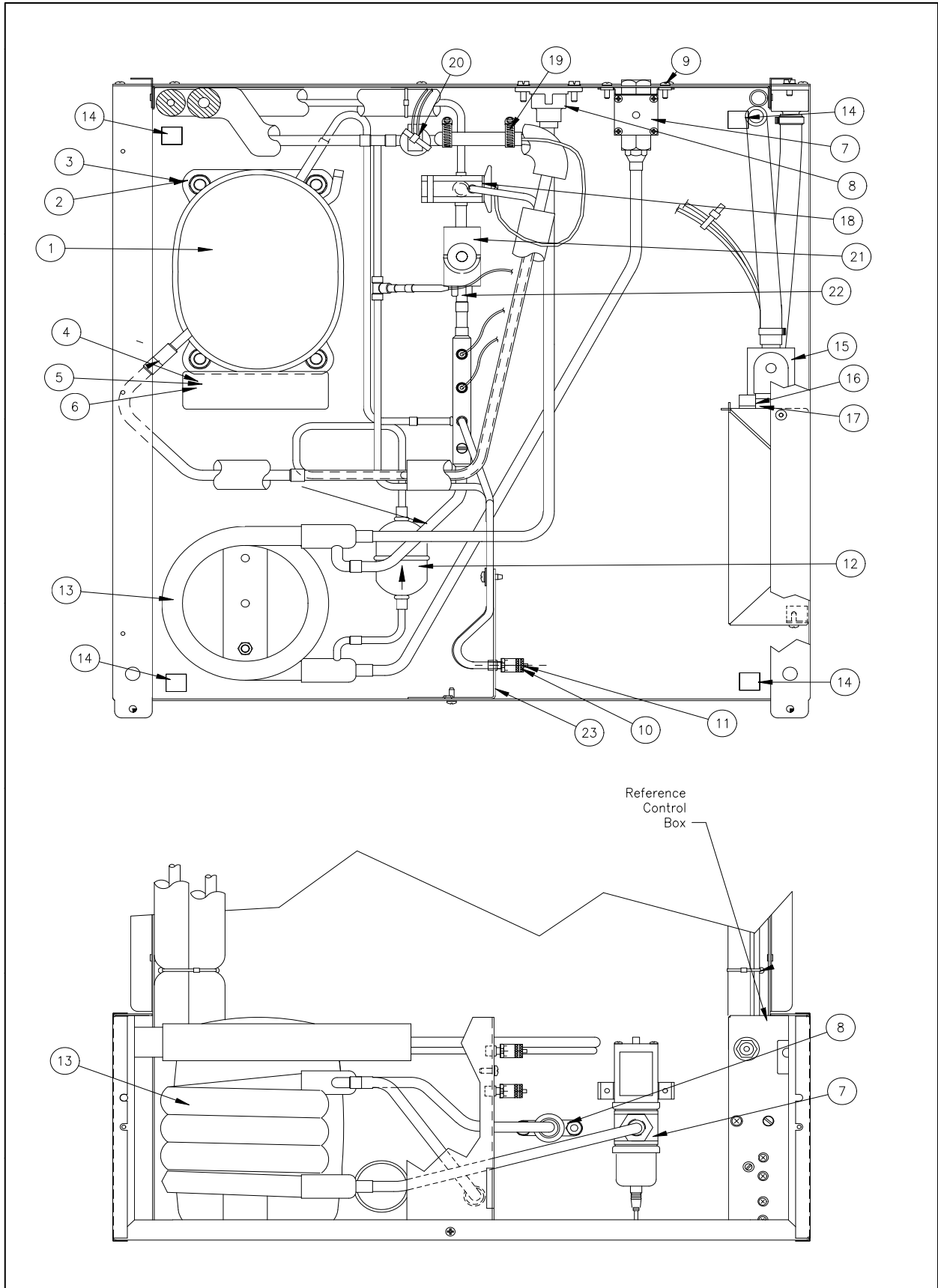
NA=Not Available

Item	Description	ICEU150	ICEU200	ICEU205	ICEU206
1	Compressor Kit (Part Number Change)	9181115-12*	9181113-11		
1	Compressor Kit NLA-NR			9181084-13	9181084-13
2	Grommet	9181002-10	9181002-07	9181061-80	9181061-80
3	Sleeve	9181002-11	9181002-08	9181061-80	9181061-80
4	Start Capacitor NLA-NR	9181003-43	9181003-35	9181003-27	9181003-27
5	Relay	9181004-24	9181004-22	9181004-15	9181004-15
6	Overload	9181005-42	9181005-29	N/A	N/A
7	Fan Blade NLA-NR	9131046-01	9131370-01	9131370-01	9131370-01
8	Fan Motor	9161028-01	9161112-01	9161112-02	9161112-02
9	Fan Bracket	3012869-01	3012869-01	3012869-01	3012869-01
10	Valve Cap	9091086-03	9091086-03	9091086-03	9091086-03
11	Valve Core	9091086-02	9091086-02	9091086-02	9091086-02
12	Filter Drier (9151004-02 is NLA)	9151163-01	9151163-01	9151163-01	9151163-01
13	Air Condenser NLA-NR	9141081-01	9141081-01	9141081-01	9141081-01
14	1/2-13 Self Anchoring Nut Retainer	9031012-02	9031012-02	9031012-02	9031012-02
15	Purge Valve (9041086 is NLA)	9041105-04	9041105-04	9041105-05	9041105-05
16	#8-18 x 1/2 SEMS S.M. Screw	9031081-01	9031081-01	9031081-01	9031081-01
17	8A Tinnerman Nut	9031035-01	9031035-01	9031035-01	9031035-01
18	Expansion Valve NLA-NR	9151006-16	9151006-16	9151006-10	9151006-10
18	Expansion Valve (Beg. Ser. J1)	9151156-101	9151156-101		
19	Expansion Valve Thermal Bulb Clamp NLA-NR	9021033-04	9021033-04	9021033-04	9021033-04
20	High Temperature Safety Control	9041087-03	9041087-03	9041087-03	9041087-03
21	Hot Gas Valve Coil	9151123-03	9151123-03	9151123-04	9151123-04
22	Hot Gas Valve Body	9151123-01	9151123-05	9151123-01	9151123-01
23	Bracket, Front Condenser	3012901-01	3012901-01	3012901-01	3012901-01
24	Bracket, Rear Condenser	3012849-01	3012849-01	3012849-01	3012849-01
25	Fan Shroud NLA-NR	2021519-01	2021519-01	2021519-01	2021519-01

The 9181115-11 (ASB14C3-IAA) is NLA and the 9181148-11 (ASE14C4E-IAA) is NLA

Description	Compressor Components			
	ICEU150	ICEU200	ICEU205	ICEU206
Compressor Kit NLA-NR		9181113-11	9181084-13	9181084-13
Compressor Kit	9181115-12			
Overload	9181005-38	9181005-29	N/A	N/A
Start Capacitor	9181003-43	9181003-35	9181003-27	9181003-27
Compressor Relay	9181004-24	9181004-22	9181004-15	9181004-15
Compressor (ASE14C4E-IAA) NLA	9181148-11			
Overload	9181005-45			
Start Capacitor	9181003-53			
Compressor Relay	9181004-30			
Compressor (ASB14CE-IAA) NLA	9181115-11			
Overload	9181005-42			
Start Capacitor	9181003-43			
Compressor Relay	9181004-24			

***Note: When installing a 9181115-12 Compressor, it is recommended that the 9161112-01 Fan Motor be installed.**



ICE Undercounter Service Parts

Refrigeration System-Water Cooled

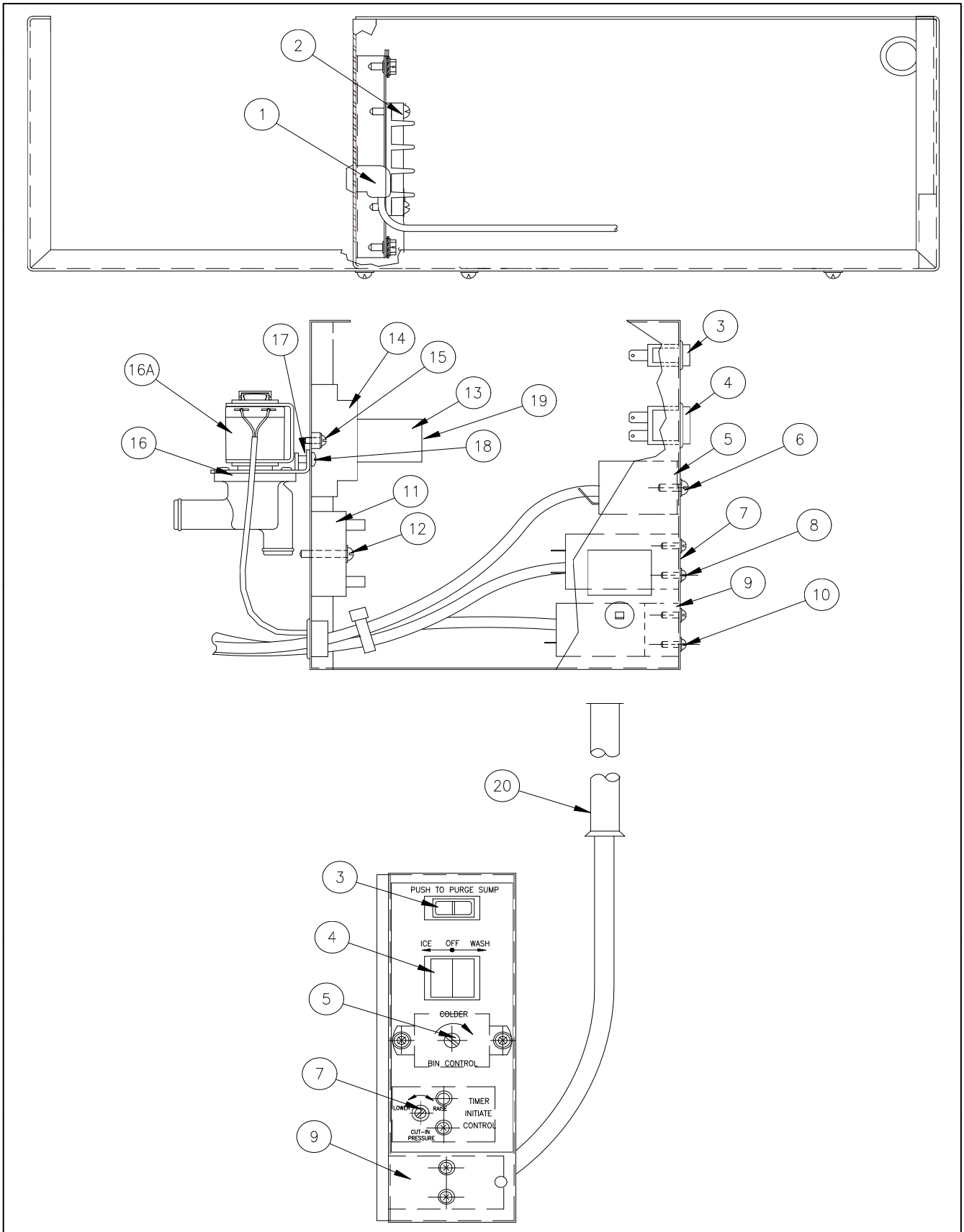
NLA-NR = No Longer Available-No Replacement

NA=Not Available

Item	Description	ICEU150	ICEU200	ICEU205	ICEU206
1	Compressor Kit (*Part Number Change)	9181115-12*	9181113-11	9181084-13	9181084-13
2	Grommet	9181002-10	9181002-07	9181061-80	9181061-80
3	Sleeve	9181002-11	9181002-08	9181061-80	9181061-80
4	Start Capacitor	9181003-43	9181003-35	9181003-27	9181003-27
5	Relay	9181004-24	9181004-22	9181004-15	9181004-15
6	Overload	9181005-42	9181005-29	N/A	N/A
7	Water Valve	9041059-01	9041059-01	9041059-01	9041059-01
8	Drain Fitting (Water Condenser) NLA-NR	3051201-01	3051201-01	3051201-01	3051201-01
9	Screw #8-32 x 1/2 SS	9031008-07	9031008-07	9031008-07	9031008-07
10	Valve Cap	9091086-03	9091086-03	9091086-03	9091086-03
11	Valve Core	9091086-02	9091086-02	9091086-02	9091086-02
12	Filter Drier (9151004-02 is NLA)	9151163-01	9151163-01	9151163-01	9151163-01
13	Water Condenser	9141022-01	9141022-01	9141022-01	9141022-01
14	1/2-13 Self Anchoring Nut Retainer	9031012-02	9031012-02	9031012-02	9031012-02
15	Purge Valve (9041086 is NLA)	9041105-04	9041105-04	9041105-05	9041105-05
16	#8-18 x 1/2 SEMS S.M. Screw	9031081-01	9031081-01	9031081-01	9031081-01
17	8A Tinnerman Nut	9031035-01	9031035-01	9031035-01	9031035-01
18	Expansion Valve NLA-NR	9151006-16	9151006-16	9151006-10	9151006-10
18	Expansion Valve (Beg. Ser. J1)	9151156-101	9151156-101		
19	Expansion Valve Thermal Bulb Clamp NLA-NR	9021033-04	9021033-04	9021033-04	9021033-04
20	High Temperature Safety Control	9041087-03	9041087-03	9041087-03	9041087-03
21	Hot Gas Valve Coil	9151123-03	9151123-03	9151123-04	9151123-04
22	Hot Gas Valve Body	9151123-01	9151123-05	9151123-01	9151123-01
23	Bracket, Service Valve	3012848-01	3012848-01	3012848-01	3012848-01

The 9181115-11 (ASB14C3-IAA) is NLA and the 9181148-11 (ASE14C4E-IAA) is NLA

Description	Compressor Components			
	ICEU150	ICEU200	ICEU205	ICEU206
Compressor Kit NLA-NR		9181113-11	9181084-13	9181084-13
Compressor Kit	9181115-12			
Overload	9181005-38	9181005-29	N/A	N/A
Start Capacitor	9181003-43	9181003-35	9181003-27	9181003-27
Compressor Relay	9181004-24	9181004-22	9181004-15	9181004-15
Compressor (ASE14C4E-IAA) NLA	9181148-11			
Overload	9181005-45			
Start Capacitor	9181003-53			
Compressor Relay	9181004-30			
Compressor (ASB14CE-IAA) NLA	9181115-11			
Overload	9181005-42			
Start Capacitor	9181003-43			
Compressor Relay	9181004-24			



ICE Undercounter Service Parts

Control Box Assembly

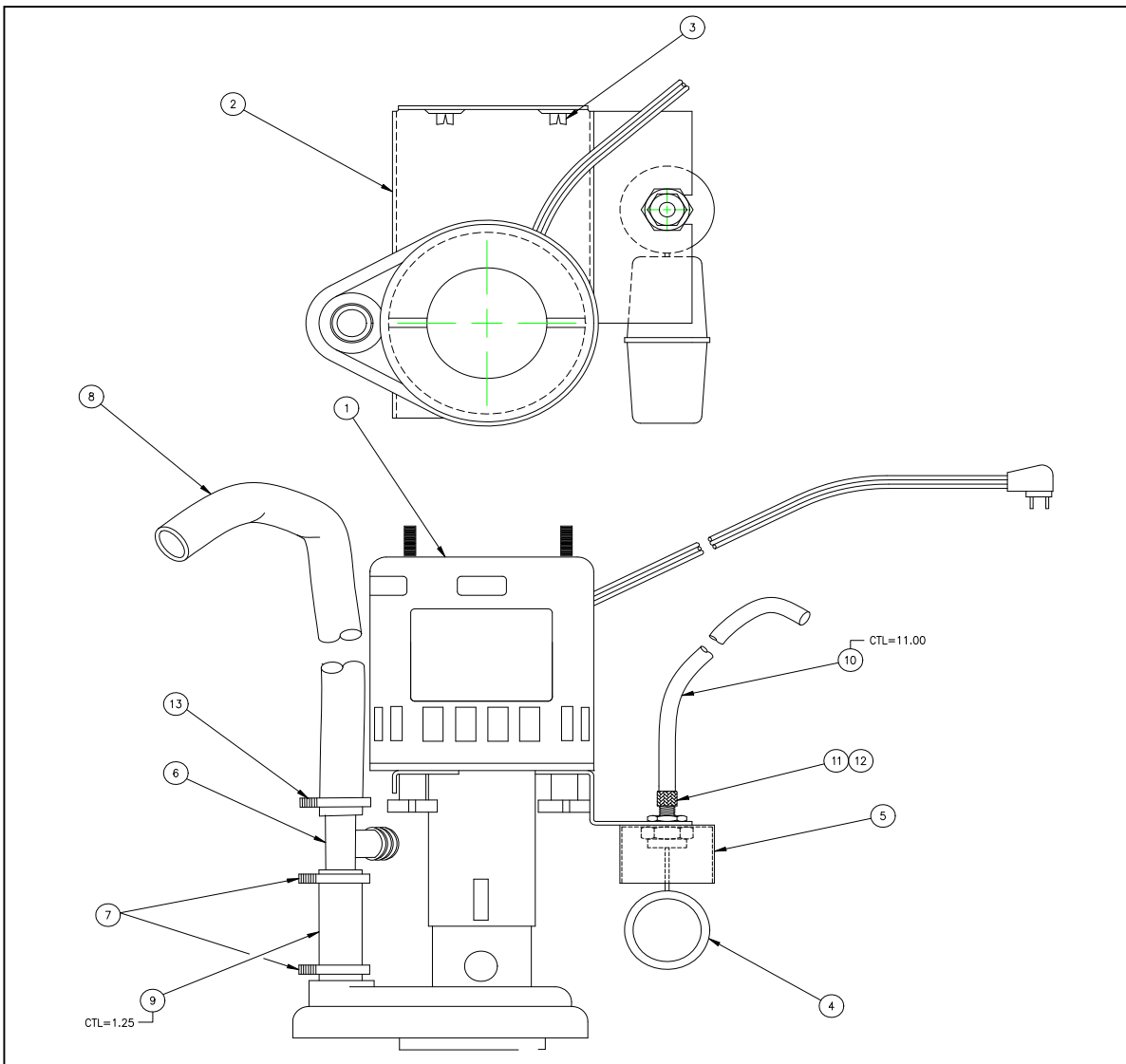
Item	Description	ICEU150	ICEU200	ICEU205	ICEU206
1	Water Pump Connector	9101218-01	9101218-01	9101218-01	9101218-01
2	Terminal Block	9101037-01	9101037-01	9101037-01	9101037-01
3	Switch-Purge 9101139-03 is NLA	1051208-01	1051208-01	1051208-01	1051208-01
4	Ice/Off/Wash Switch 9101195-01 is NLA	9101349-01	9101349-01	9101349-01	9101349-01
5	Thermostat-Bin Control	9041097-01	9041097-01	9041097-01	9041097-01
6	Screw 8-32 x 3/8	9031008-02	9031008-02	9031008-02	9031008-02
7	Low Pressure Control 9041094-01 is NLA	9041104-101A	9041104-101A	9041104-101A	9041104-101A
8	Screw 6-32 x 3/8	9031008-22	9031008-22	9031008-22	9031008-22
9	High Pressure Control NLA-NR			9041095-02	9041095-02
	High Pressure Control	9041095-01	9041095-01		
10	Screw 6-32 x 3/8	9031008-22	9031008-22	9031008-22	9031008-22
11	Timing Module	9101148-01	9101148-01	9101148-01	9101148-01
12	Screw #8 x 1 S.M.	9031046-06	9031046-06	9031046-06	9031046-06
13	Relay	9101084-01	9101084-01	9101084-02	9101084-02
14	Socket-Relay	9101083-01	9101083-01	9101083-01	9101083-01
15	Screw #6 x 1/2 S.M.	9031046-05	9031046-05	9031046-05	9031046-05
16	Purge Valve 9041086 is NLA	9041105-04	9041105-04	9041086-05	9041086-05
16A	Purge Valve Coil Only Not Available	NA	NA	NA	NA
17	8A Tinnerman Speed Nut	9031035-01	9031035-01	9031035-01	9031035-01
18	#8-18 x 1/2 Sems S.M. Screw	9031081-01	9031081-01	9031081-01	9031081-01
19	Hold Down Spring - Relay	9101083-02	9101083-02	9101083-02	9101083-02
20	Tube Conduit, Plastic	3051192-01	3051192-01	3051192-01	3051192-01

NLA-NR = No Longer Available-No Replacement

NA=Not Available

Item	Description	ICEU150	ICEU200	ICEU205	ICEU206
1	Water Pump 115 V	9161076-01	9161076-01		
1	Water Pump 230 V			9161076-02	9161076-02
	Thumbscrew for Water Pump (2 Req)	9161076-101	9161076-101	9161076-101	9161076-101
2	Pump Bracket	3012847-01	3012847-01	3012847-01	3012847-01
3	Plastic Nut	9031141-01	9031141-01	9031141-01	9031141-01
4	Float 9131111-01 is NLA	91311111-101	91311111-101	91311111-101	91311111-101
5	Cap Plug	9131026-02	9131026-02	9131026-02	9131026-02
6	Plastic Barbed Tee 5/8	9091024-01	9091024-01	9091024-01	9091024-01
7	Plastic Clamp	9021010-04	9021010-04	9021010-04	9021010-04
8	Hose PVC 9/16 (Formed)	9051280-05	9051280-05	9051280-05	9051280-05
9	Hose PVC 5/8 - 1.25 Inch Required	6021015-04	6021015-04	6021015-04	6021015-04
10	Tube-Polyethylene - 11 Inches Required	6021032-01	6021032-01	6021032-01	6021032-01
11	Barrel Fitting	9091080-01	9091080-01	9091080-01	9091080-01
12	Sleeve	9091081-01	9091081-01	9091081-01	9091081-01
13	Plastic Clamp 9021010-03 is NLA	9021010-04	9021010-04	9021010-04	9021010-04

Please note: Thumbscrews are shipped with the Water Pumps when ordered as a service replacement part.



ICE Undercounter Service Harvest Assist Assembly

Reference the Model Number below for the specific Harvest Assist Assembly

Item	ICEU150	ICEU200	ICEU205	ICEU206	Description
	1051210-01A	1051210-01A	1051210-02A	1051210-02A	Harvest Assist Assembly
	2061962-01S	2061962-01S	2061962-02S	2061962-02S	No Longer Available

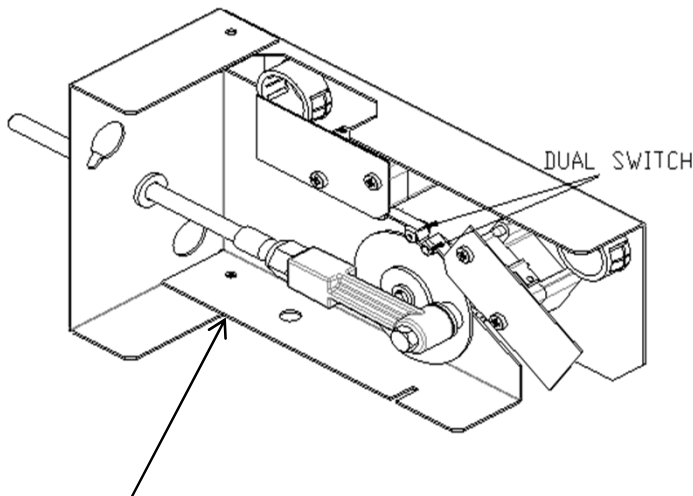


- The **1051210-XXA** assembly will fit all ICE Models from October 1999 and EC Models.
- Units installed with a double cam switch, either Field installed or Factory installed will require the complete assembly and a potential wiring change as per the New Wiring Diagram included with the assembly.
- Individual component parts are not available for the **1051210-XXA** assembly.
- Individual component parts are No Longer Available for previous version of the Harvest Assist Assembly
- Parts for the **2061962-XX** Harvest Assist Assembly are not compatible with **1051210-XXA** Harvest Assist Assembly.
- Proper assembly and alignment of the parts is critical to proper operation, this includes cam and probe alignment.
- If a **1051210-XXA** assembly fails, it must be returned to Ice-O-Matic.

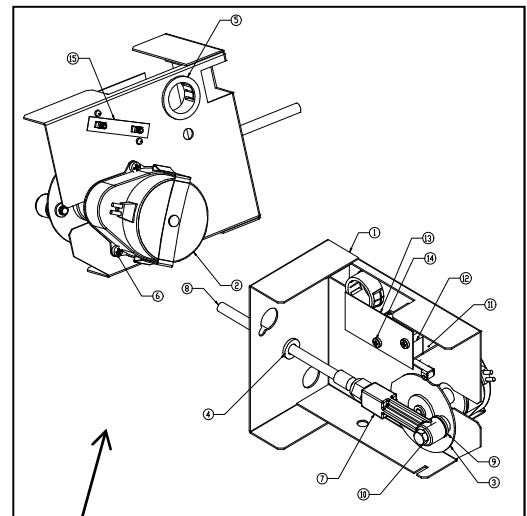
1051210-XXA are only supplied as complete assemblies, individual components are not available.

Please reference the above Model Numbers to insure the correct assembly is supplied

THE DUAL CAM SWITCH HARVEST ASSIST ASSEMBLIES ARE NO LONGER AVAILABLE



1051199-01 No Longer Available
1051200-01 No Longer Available
1051201-01 No Longer Available
1051202-01 No Longer Available
1051207-01 No Longer Available



2061962-01S No Longer Available
2061962-05S No Longer Available
2061962-07S No Longer Available