



# The Matchbox® Oven

Cooks a full & varied menu better, faster, easier.



## Matchbox Features No Other Oven Can Match

### No Extraction Required

- Ovention's revolutionary closed cooking system performs 10 times better than the required UL grease emissions standard
- The doors are only opened when food is entering or exiting the oven

### Ultimate Temperature Control

- With FlexTemp™, increase or decrease temperature by 50°F degrees from one item to the next

### Intuitive One-Touch Display

- 2 cooking surfaces that automatically load at the tap of a touchpad
- Auto unload to prevent overcooking
- USB menu upload capability

### Superior Cooking Control

- Revolutionary Precision Impingement™ that allows you to control time, temperature and independent blower speeds for every item
- Up to 1,000 pre-programmed cook settings
- No microwaves
- Stage the cooking process for superior quality

### Drastically Reduced Energy Costs

- Unique "End Cap" system minimizes hot air escape from cavity
- Reduced oven energy consumption
- Reduced air extraction / HVAC costs

### Smaller Kitchen Footprint

- One oven bakes, broils, cooks, grills, roasts

# Ovention Matchbox Ovens: *Expect the Unexpected!*

## Ovention Matchbox 1718 Specifications

**Height:** 20.24" (514 mm)  
**Width:** 61.68" (1566.7 mm)  
**Depth:** 34.47" (875.5 mm)  
**Oven Weight:** 228 lbs.  
**Power:** Single Phase 60 Hz  
**Operating Voltage:** 208V / 240V  
**Max Current Draw:** 44A / 49A  
**Plug:** NEMA 6-50P  
**Cord Length:** 72" (1828.8 mm)

### Ventilation:

UL197 (KNLZ) listed for ventless operation\*  
EPA202 Tested from Section 59 of UL710B (8 hr)  
**Product:** Pepperoni Pizza  
**Results:** 0.49 mg/m<sup>3</sup>  
Internal catalytic filtration to limit smoke, grease, and odor emissions

### Shipping Information:

**Freight Class:** 150  
**Cube:** 68" x 41" x 30"  
(1727.2 x 1041.4 x 762 mm)  
**Shipping Weight:** 312 lbs.  
**FOB:** Sturgeon Bay, Wisconsin

## Ovention Matchbox 1313 Specifications

**Height:** 20.21" (513.3 mm)  
**Width:** 49.88" (1267 mm)  
**Depth:** 28.67" (728.2 mm)  
**Oven Weight:** 169 lbs.  
**Power:** Single Phase 60 Hz  
**Operating Voltage:** 208V / 240V  
**Max Current Draw:** 26A / 29A  
**Plug:** NEMA 6-30P  
**Cord Length:** 72" (1828.8 mm)

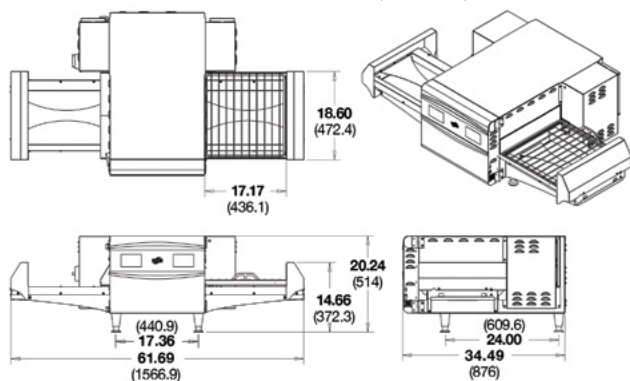
### Ventilation:

UL197 (KNLZ) listed for ventless operation\*  
EPA202 Tested from Section 59 of UL710B (8 hr)  
**Product:** Pepperoni Pizza  
Internal catalytic filtration to limit smoke, grease, and odor emissions

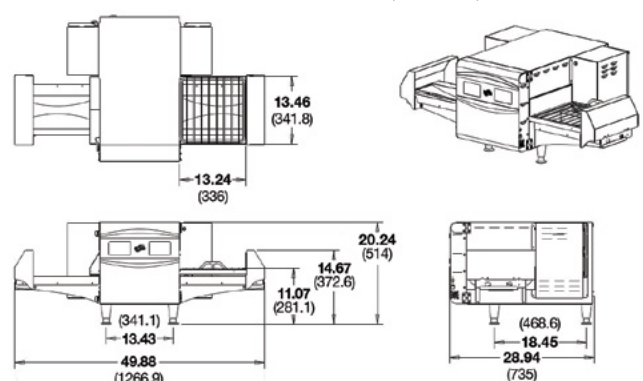
### Shipping Information:

**Freight Class:** 150  
**Cube:** 68" x 41" x 30"  
(1727.2 x 1041.4 x 762 mm)  
Shipping Weight: 232 lbs.  
**FOB:** Sturgeon Bay, Wisconsin

Measurement Units: Inches (Millimeters)



Measurement Units: Inches (Millimeters)



OVENTION, INC.

635 South 28th Street • Milwaukee, Wisconsin 53215

Call Toll Free 855.298.OVEN • [www.OventionOvens.com](http://www.OventionOvens.com) • Email: [connect@OventionOvens.com](mailto:connect@OventionOvens.com)